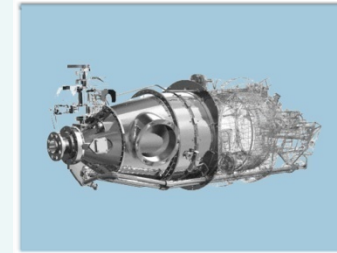
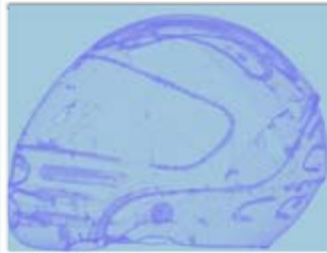


CAD SERVICES

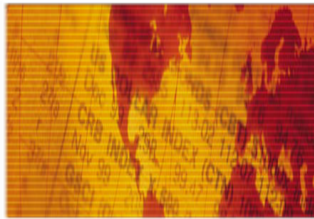




About us:

MAX Design

- Is based in Pondicherry in India.
- Has an international management team.
- Has more than 30 years' experience in the development and management of trans-national IT related projects.
- Places Professionalism and Transperancy first and foremost.
- Is deeply and personally interested in yachting and flying.



Your Requirements:

If you wish to:

- Become more effective and competitive,
- Utilize and optimize your internal resources on your core competences,
- Increase your flexibility and timeliness with the response to your clients,
- Manage working peaks in a more efficient way,
- Gain the cost advantage of emerging economies without investments and risks,
- Take active part in the processes of globalization, and at the same time
- Lower your fixed costs, save on the expenses currently incurred and improve your profitability...



Our Services

MAX Design offers You a multitude of CAD support services that include:

3D CAD & Modeling:

- Digitization of paper drawings,
- Creation of detailed engineering drawings,
- Creation of 3D Simulations,
- Translation and migration of CAD Models
- Reverse Engineering,
- 3D Model Analysis,
- Design Automation, etc.

Rendering and Animations:

- Creation of photo-realistic images,
- Detailed visualization of products,
- Animations, etc.



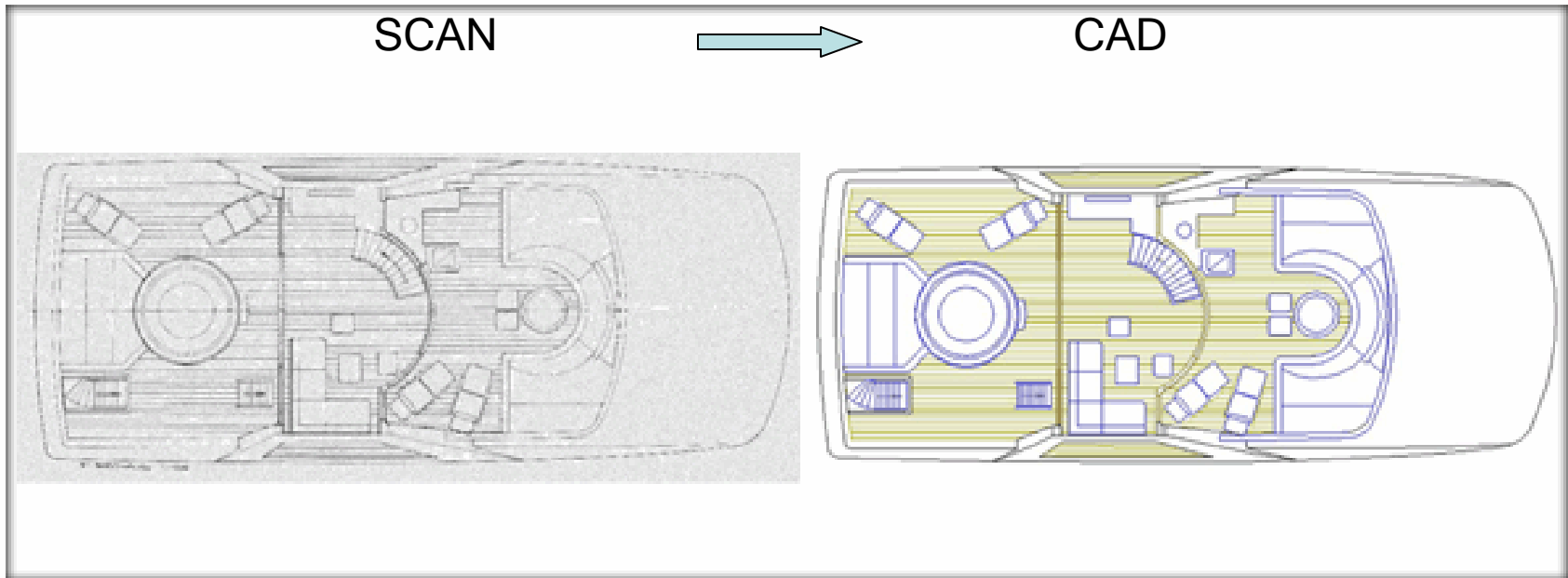
Working together:

We offer You the possibility to work in a flexible way and to choose the solution that better suits you. For example we can work for you:

- On an hourly basis,
- On given projects,
- By setting up and running your own Off-shore Design Center (ODC):
 - This is offered to those who require an ODC but don't have either the time, the resources or the experience to set up an ODC of their own.
 - This solution drastically removes the risk and annuls the necessary initial investments for the setting up an ODC.
Or, suggest an arrangement that suits you best.

CAD MODELING

CREATION OF VECTOR BASED 2D DRAWINGS FROM LEGACY DATA

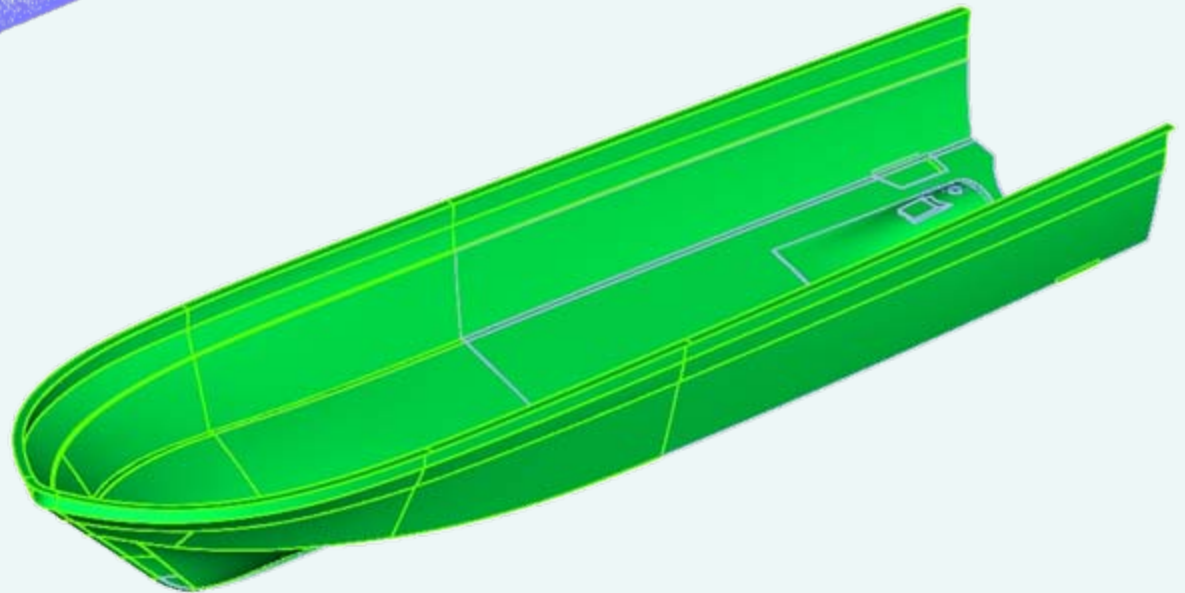


CREATION OF SURFACES FROM POINT CLOUD DATA

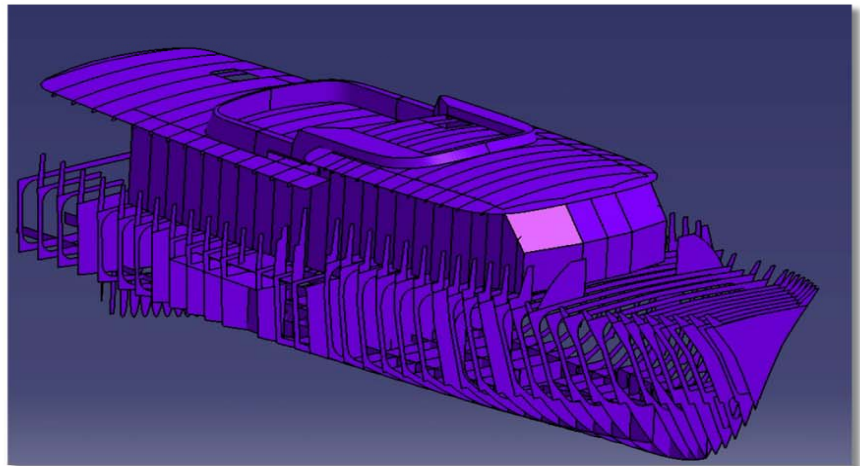
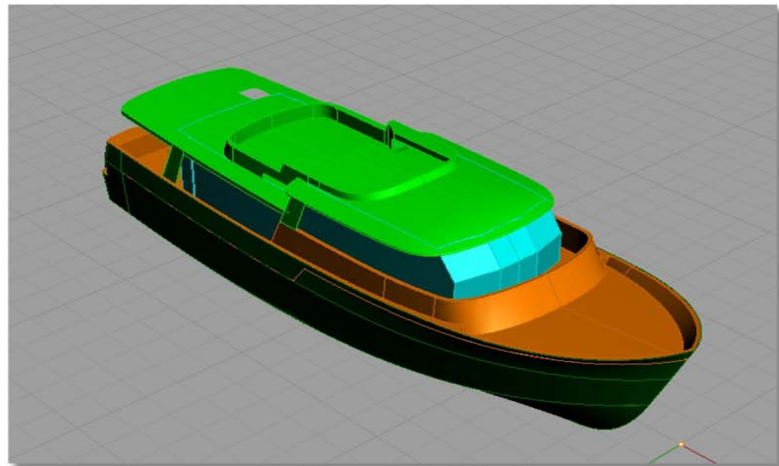
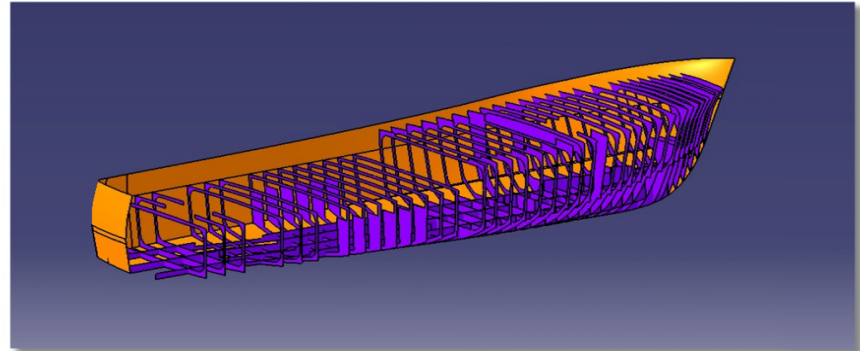
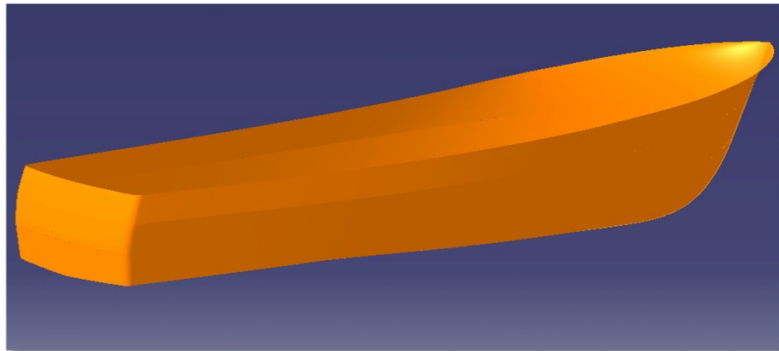
SCAN DATA (POINT CLOUD DATA)



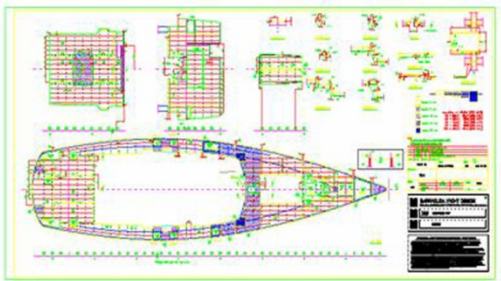
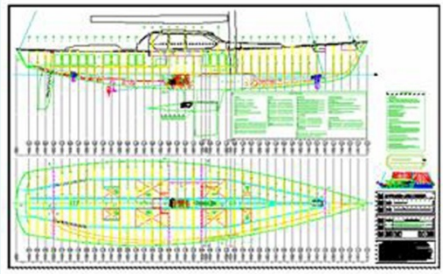
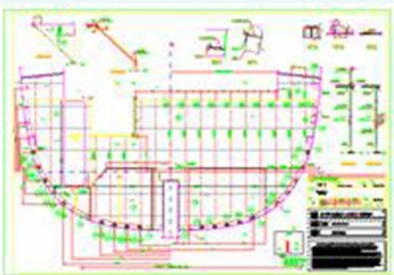
BEZIER SURFACE



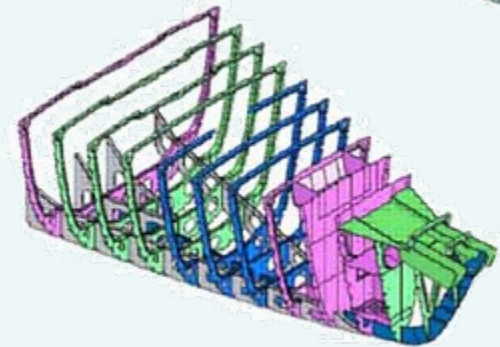
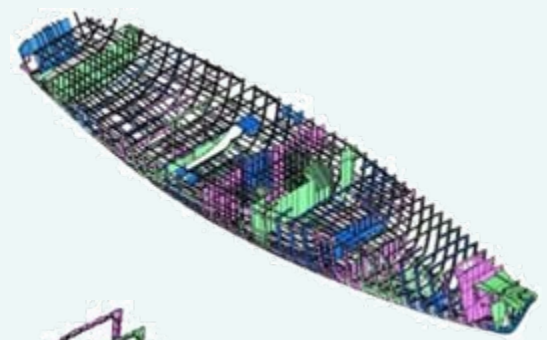
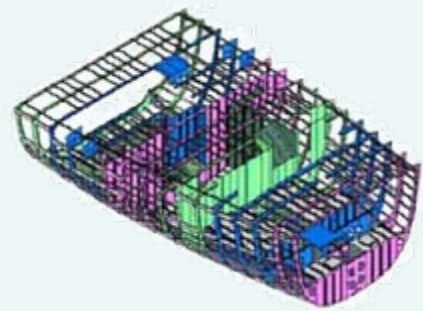
CREATION OF 3D MODELS FROM OTHER INPUTS



CREATION OF 3D MODELS FROM 2D INPUTS

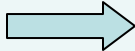


2D → 3D

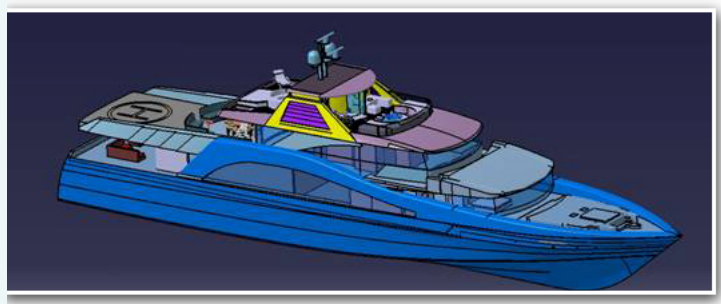
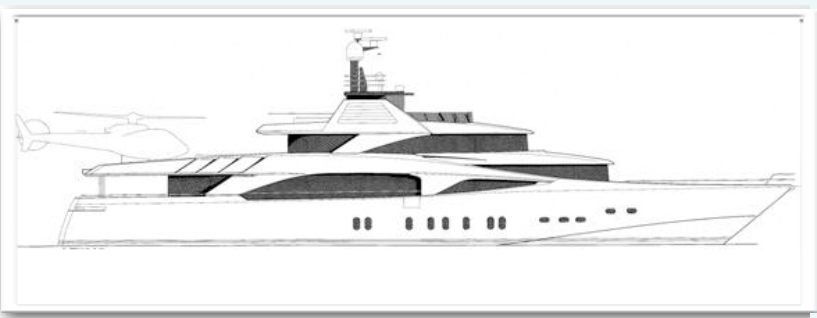
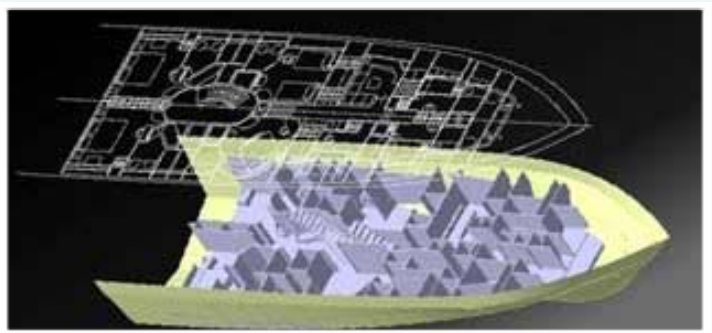
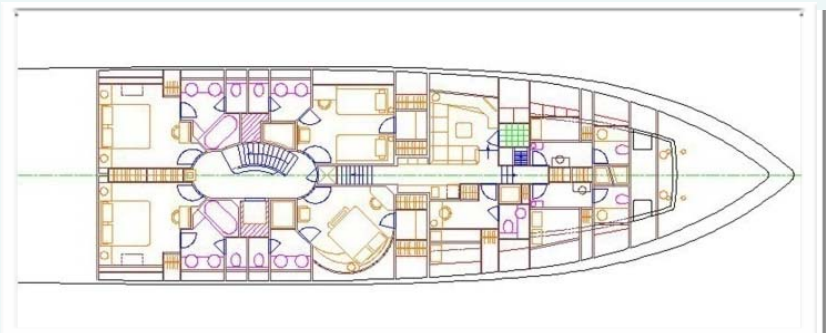


CREATION OF 3D MODELS FROM 2D INPUTS

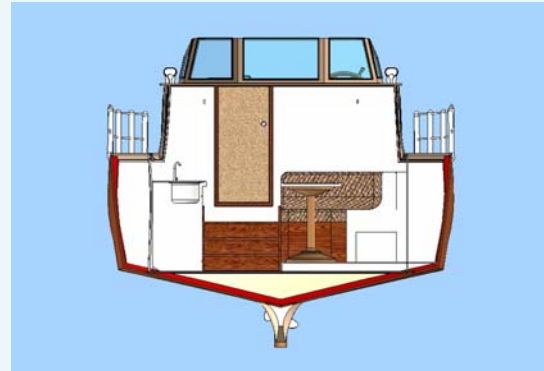
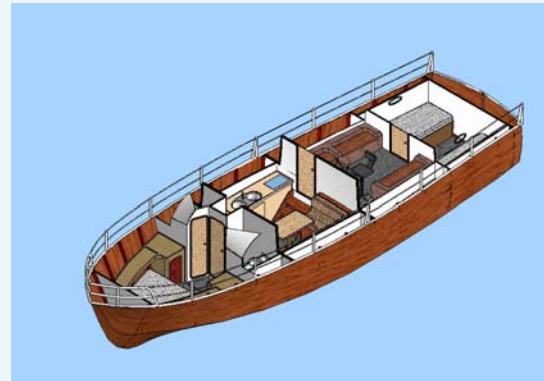
2D



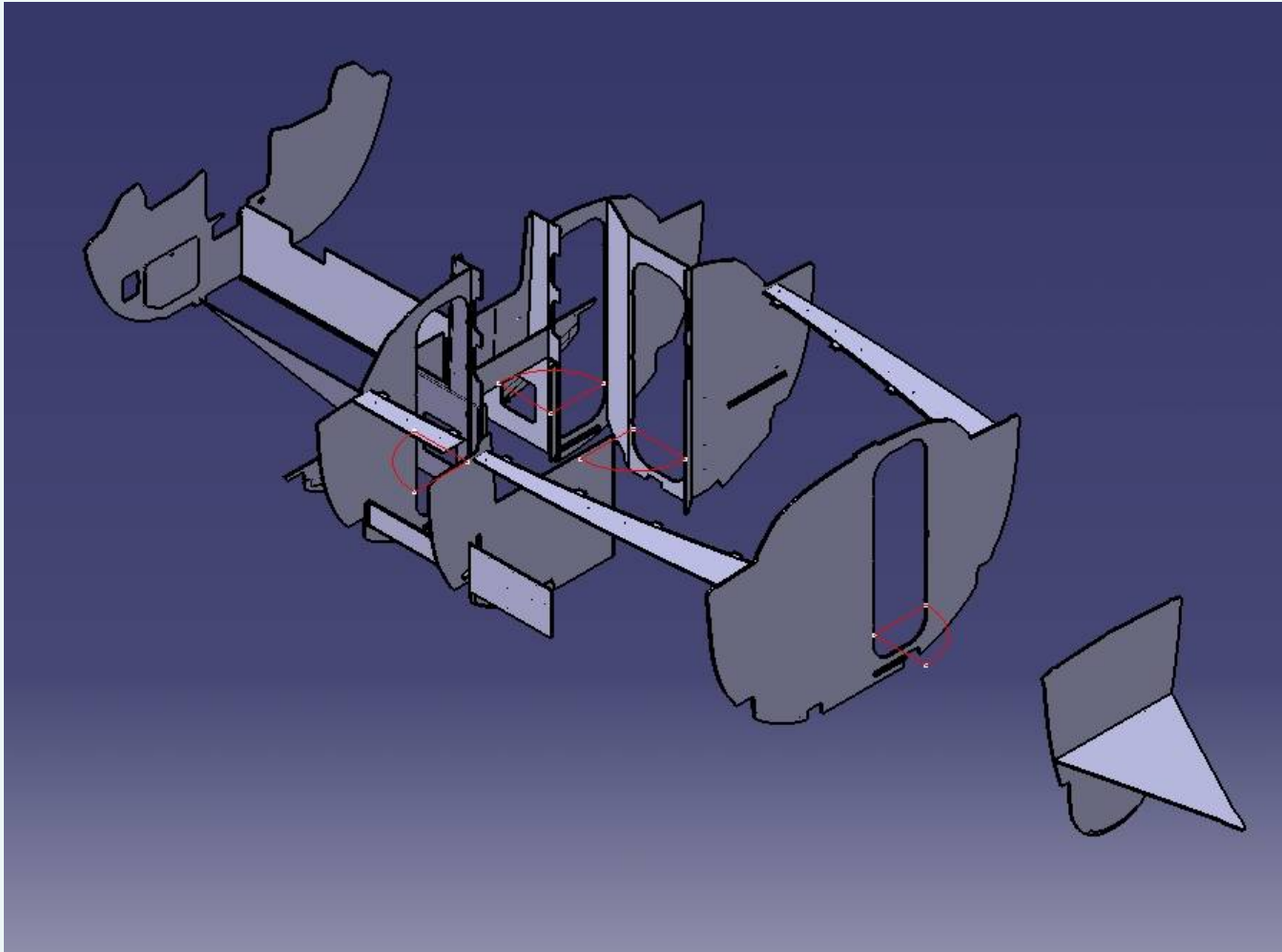
3D



CREATION OF HULL SURFACES & INTERIORS FROM 2D DRAWING



CREATION OF STRUCTURES, BULKHEAD FROM 2D DRAWING



CREATION OF 3D MODELS FROM 2D & 3D INPUTS

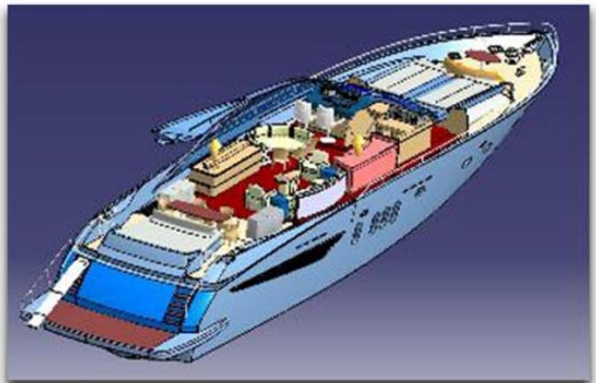
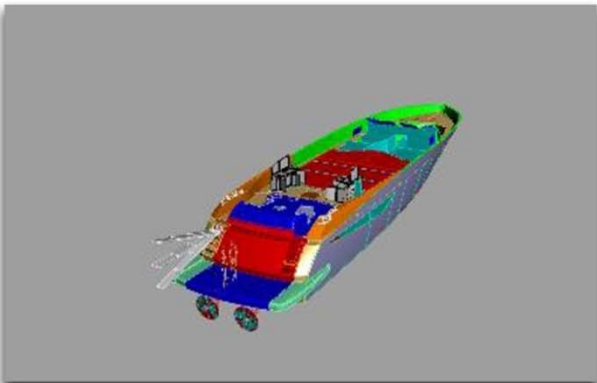
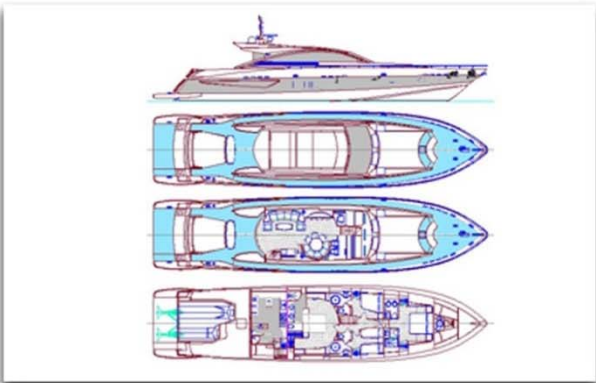
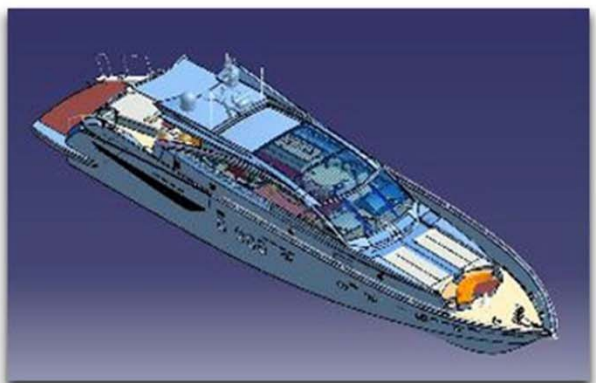
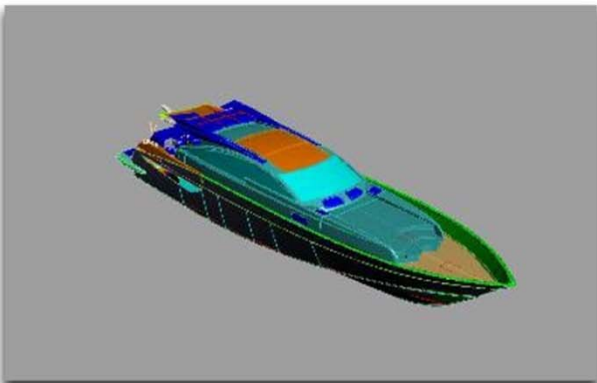
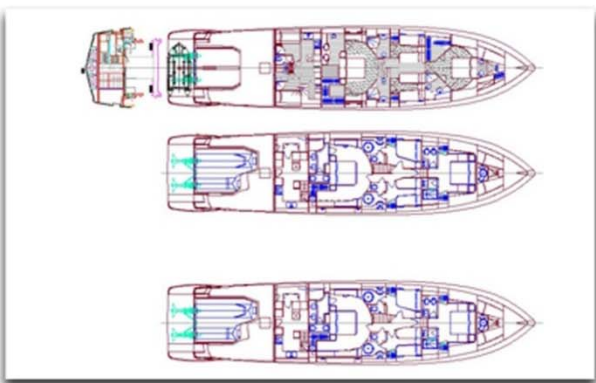
2D

+

3D (iges)

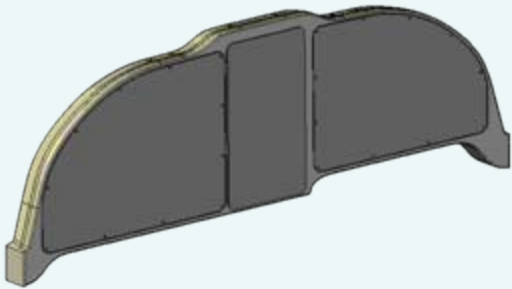
=

3D Parametric



INSTRUMENT PANEL DESIGNING & MODELING

Base panel



Additional parts



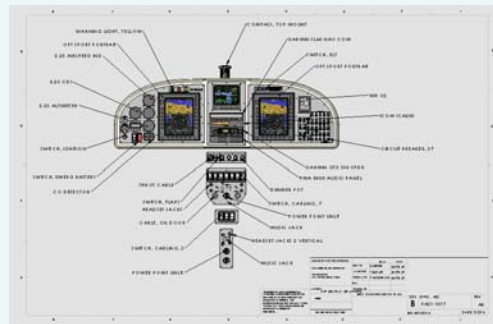
Panel assembly



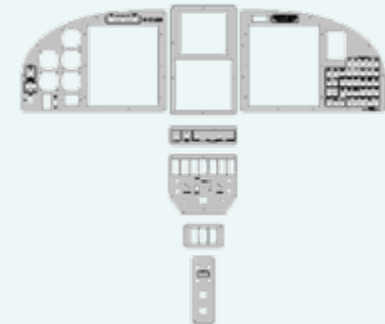
Rendered



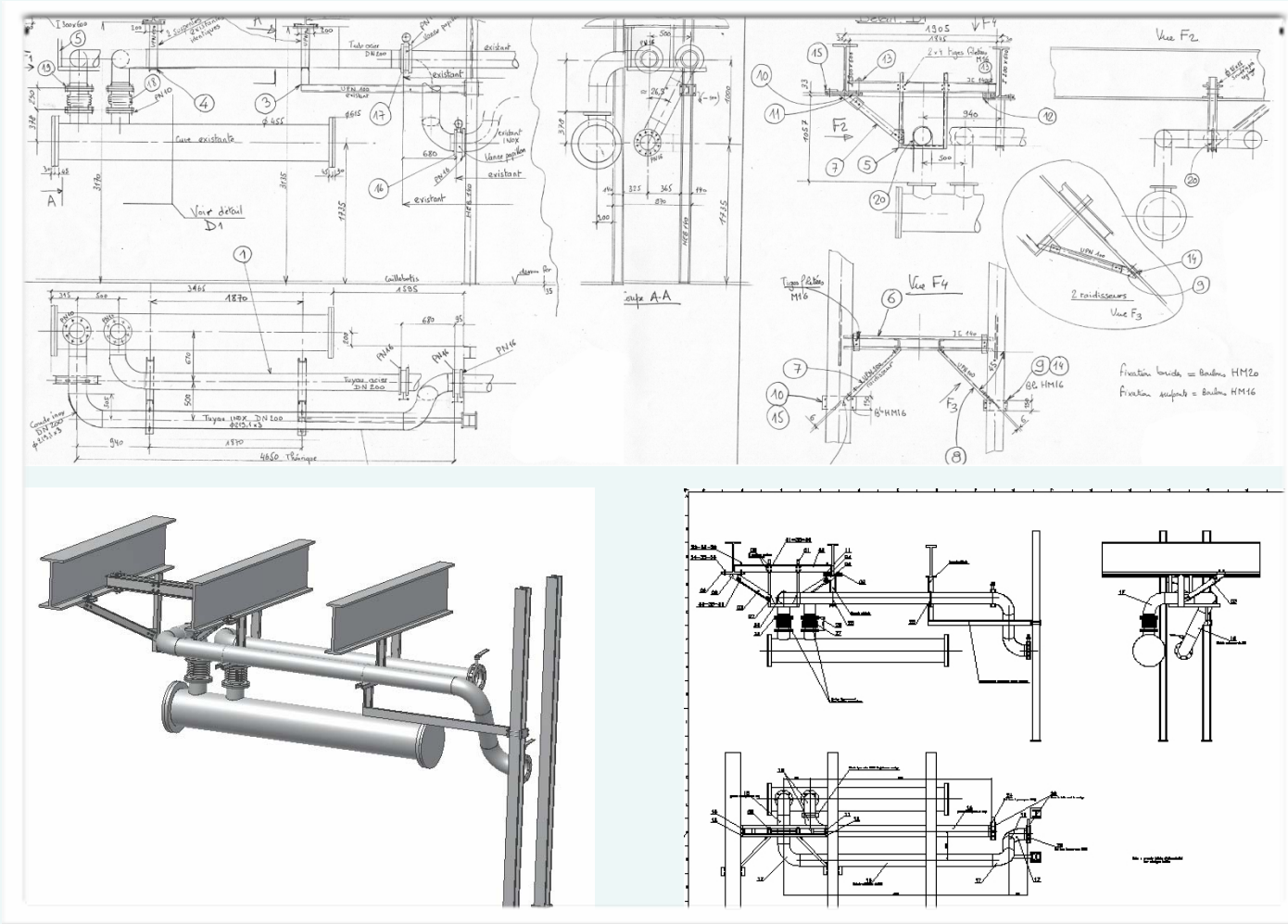
Engineering drawings



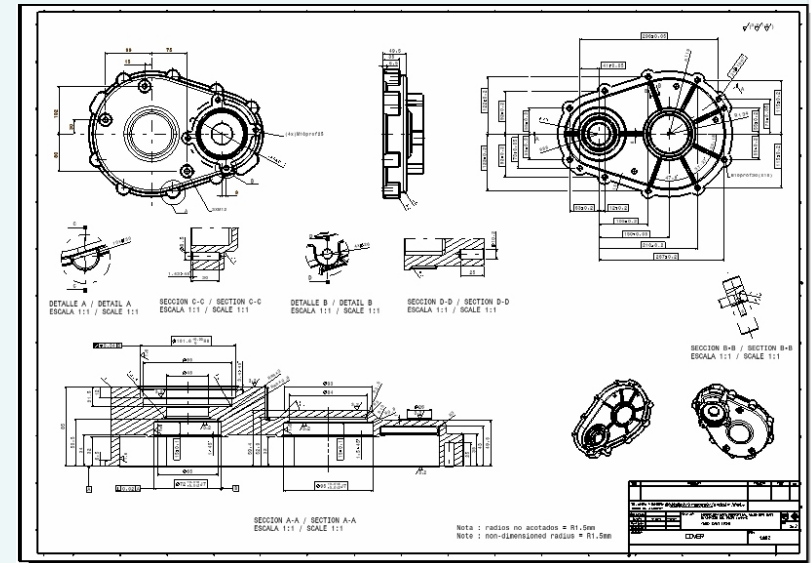
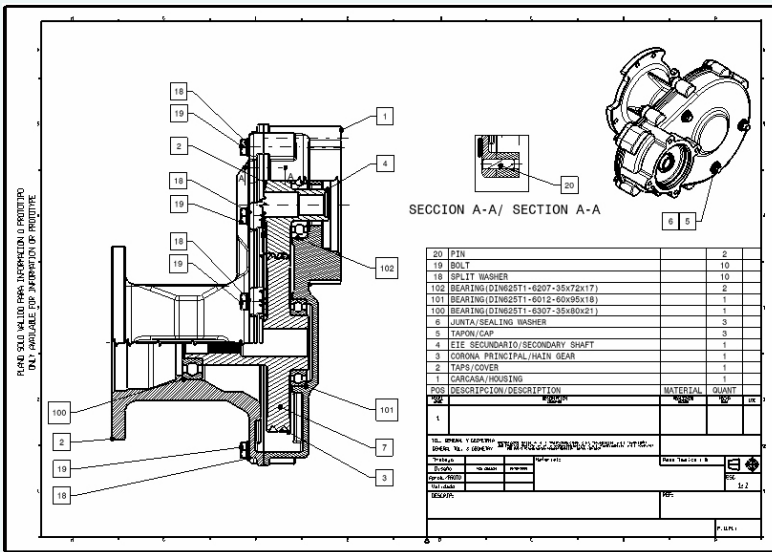
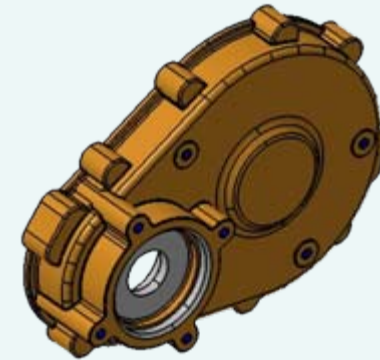
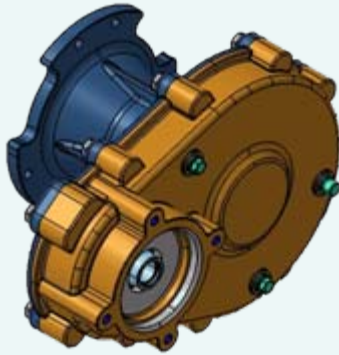
Creating cutouts



CREATION OF VECTOR BASED 2D DRAWINGS FROM LEGACY DATA



CREATION OF DETAILED ENGINEERING DRAWINGS WITH GD&T

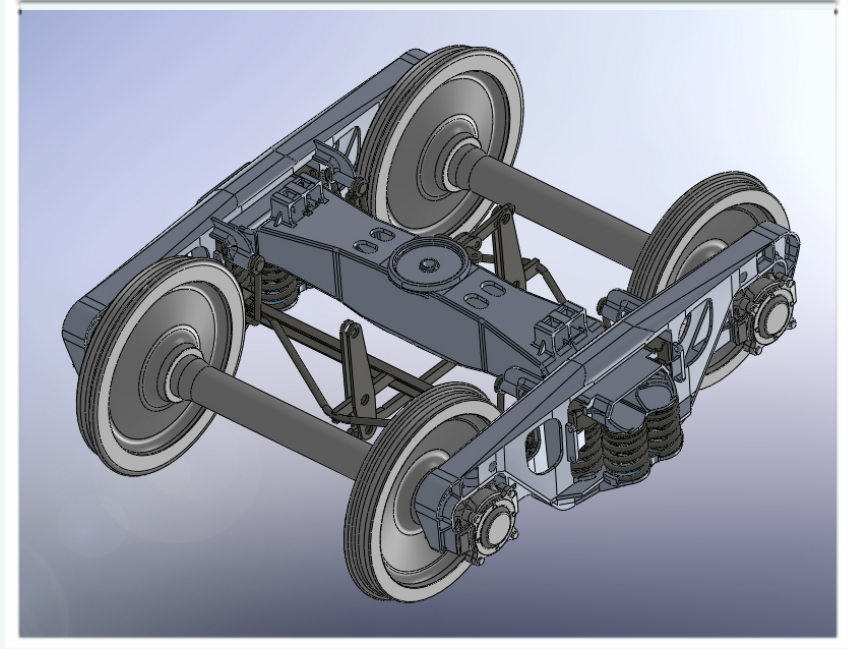
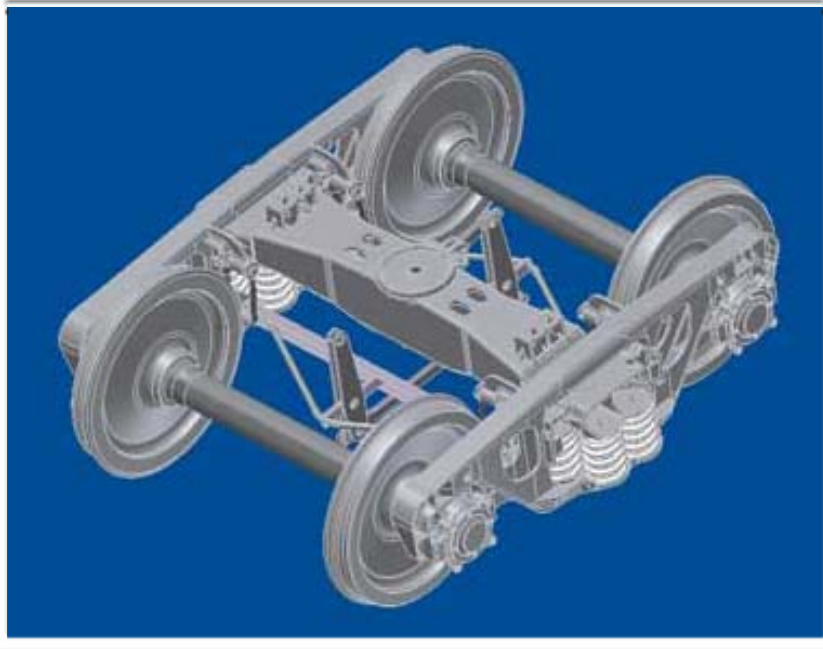


TRANSLATION AND MIGRATION OF CAD MODELS

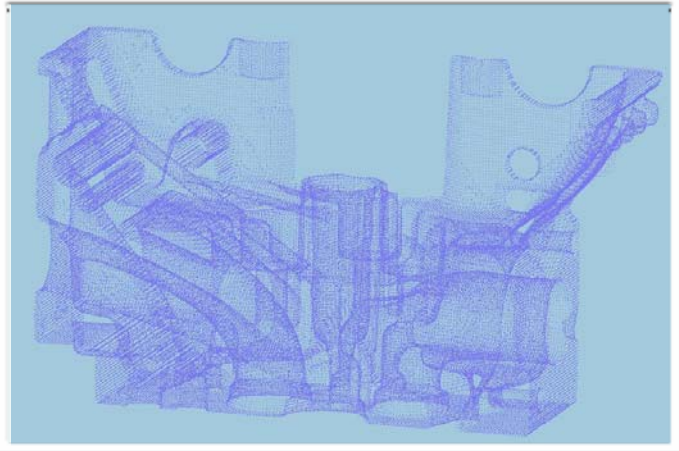
Native CAD



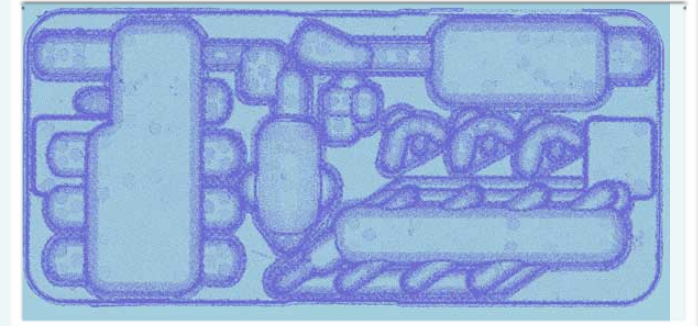
Other CAD package



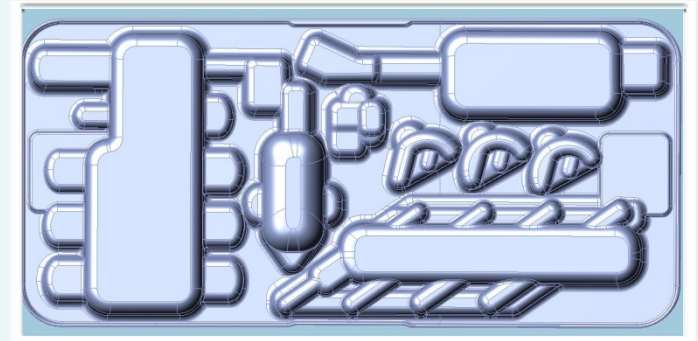
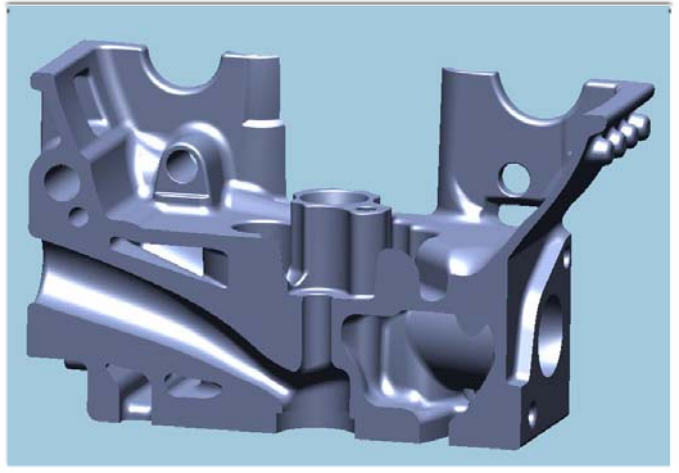
REVERSE ENGINEERING



SCAN DATA

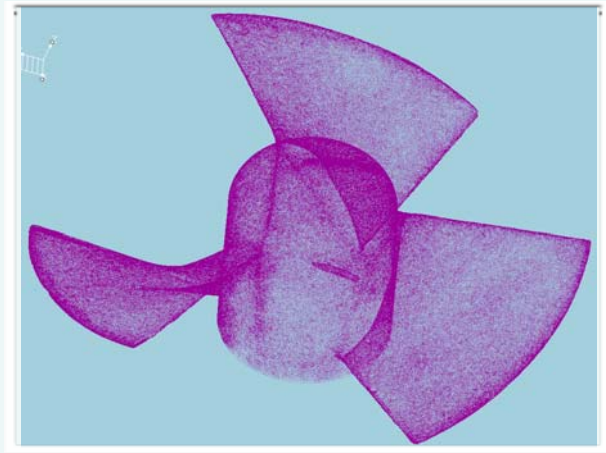
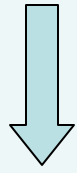
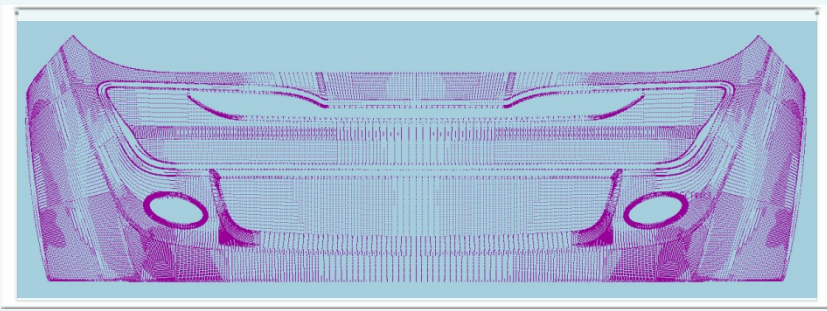


SURFACE MODEL

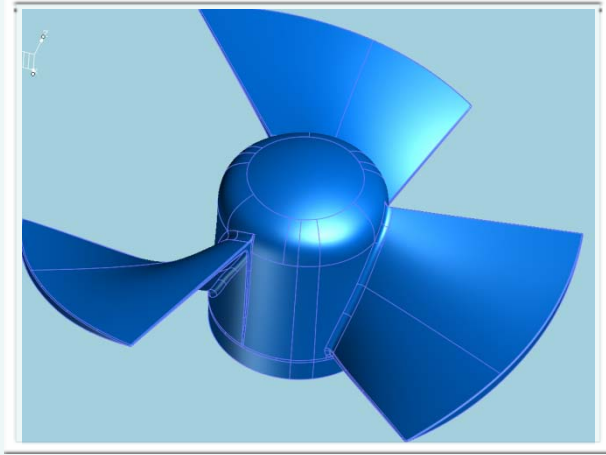
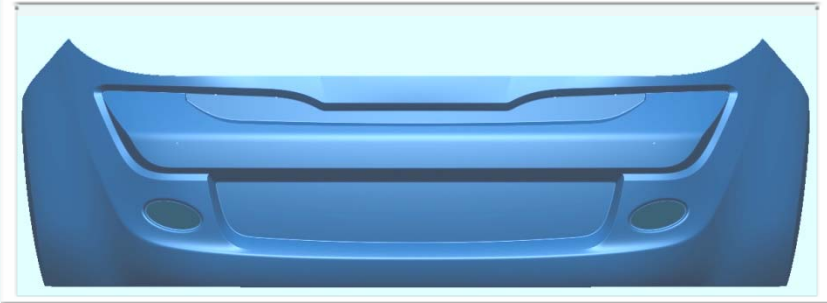


REVERSE ENGINEERING

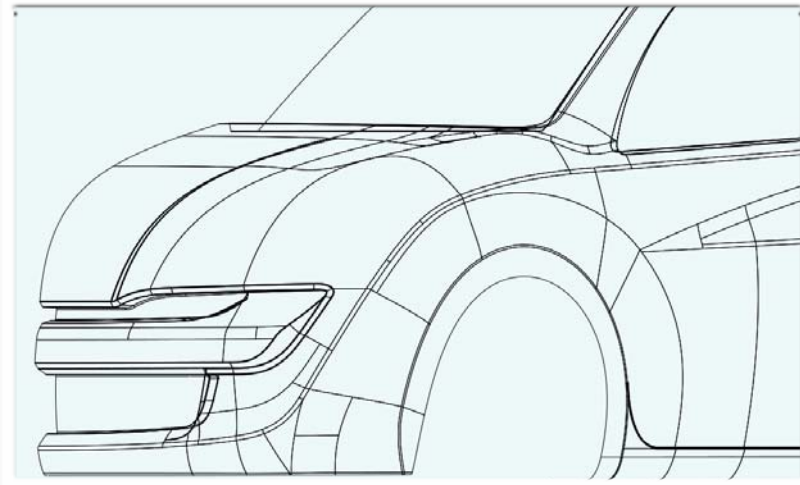
SCAN DATA



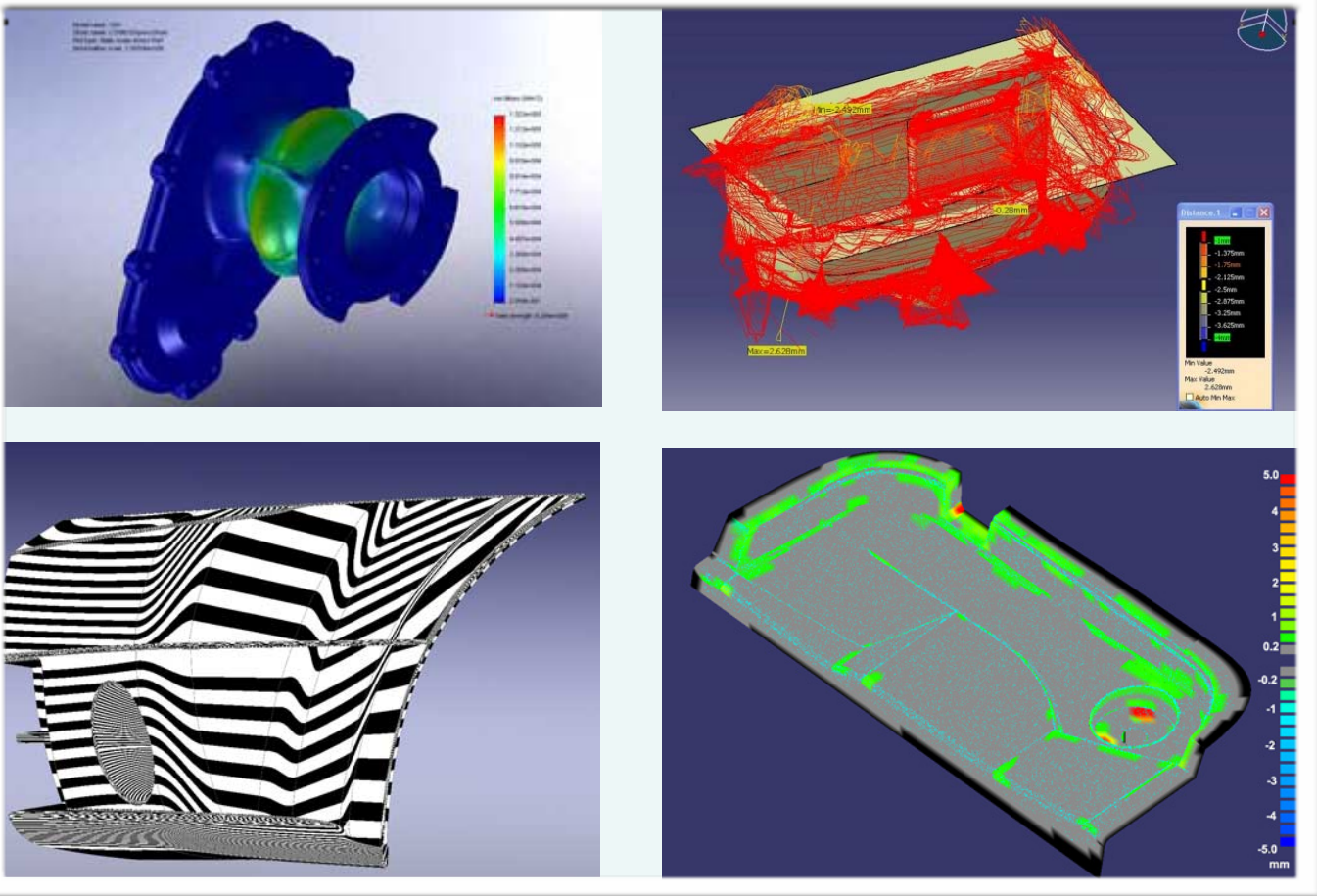
SURFACE MODEL



CLASS A SURFACING



3D MODEL ANALYSIS



DESIGN AUTOMATION

DESIGN AUTOMATION ? X

MAX DESIGN Fueltank Design Automation Alpha-1
MAX Design ©

Design Inputs | Stiffener Inputs |

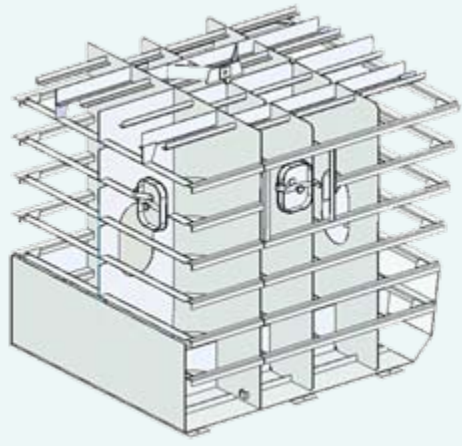
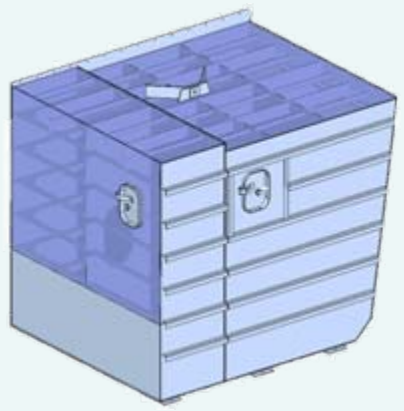
No of Door:

Door Positions:

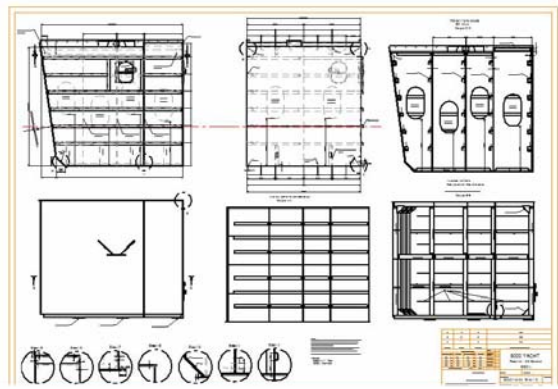
Mounting type:

Capacity:

Length & Width:



A	B	C
Item Number	File Name	Material
1*	borde profil 2 6mm new	Aluminum, 1060
2*	borde arriere 6mm new	Aluminum, 1060
3*	borde arriere 2 new	Aluminum, 1060
4*	borde arriere 2 6mm new	Aluminum, 1060
5*	borde arriere new	Aluminum, 1060
6*	couvercle1-0a3 new	Aluminum, 1060
7*	separation-0a2 new	Aluminum, 1060
8*	borde profil 6mm-0a1 new	Aluminum, 1060
9*	borde avant 6mm new	Aluminum, 1060
10*	borde profil-0a0 new	Aluminum, 1060
11*	borde avant new	Aluminum, 1060



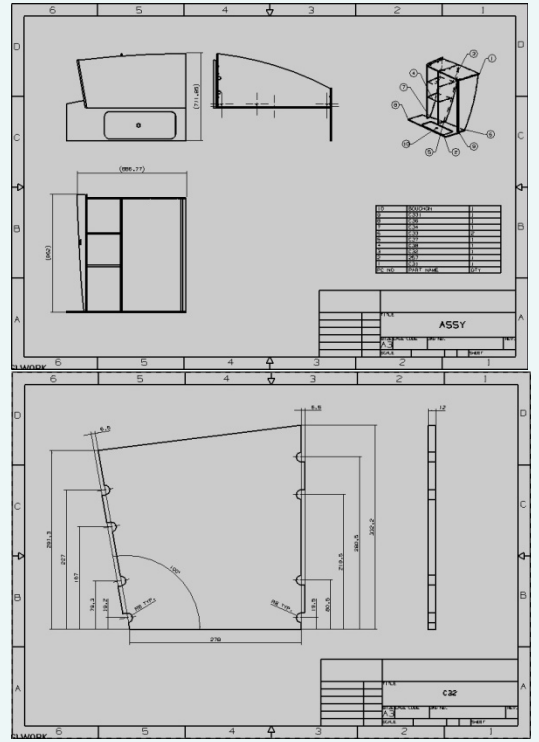
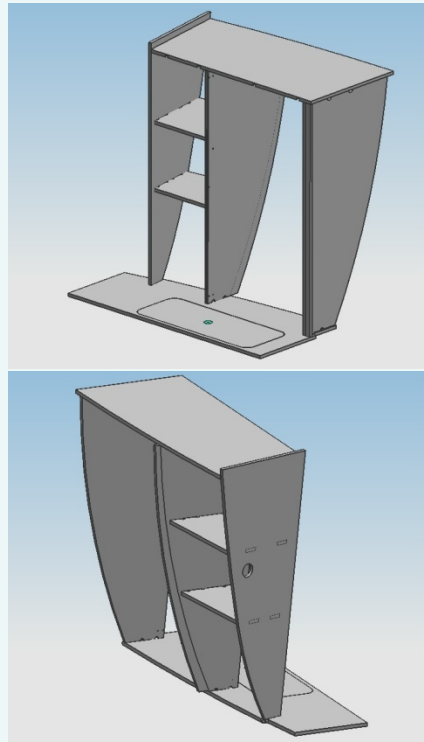
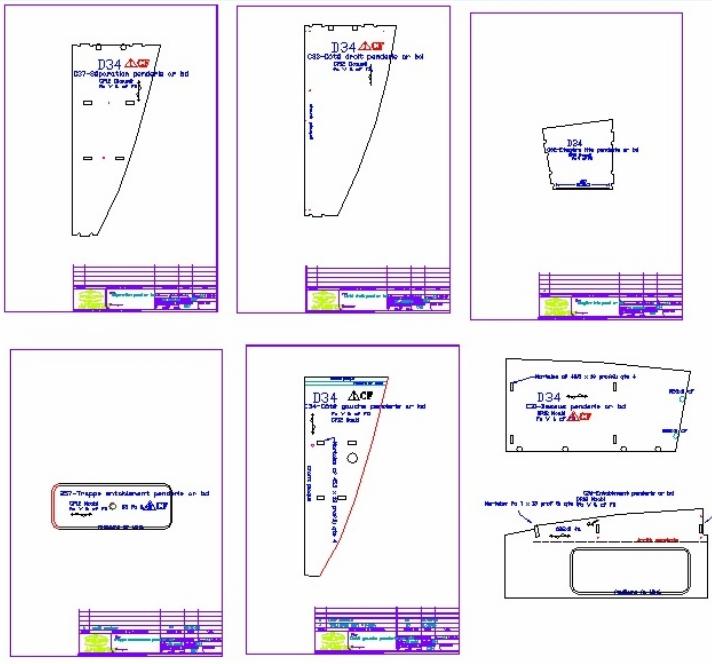
OTHER CAD SUPPORT SERVICES

CREATION OF 3D MODELS FROM 2D DRAWINGS AND CREATION OF NEW CORRESPONDING EXECUTION 2D DRAWINGS.

Input : 2D drawing



Output : 3D Model & 2D Plans

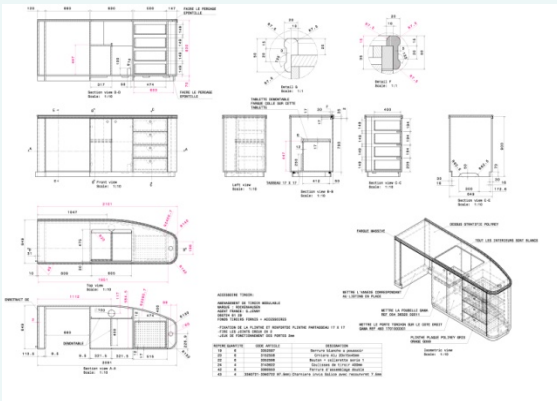
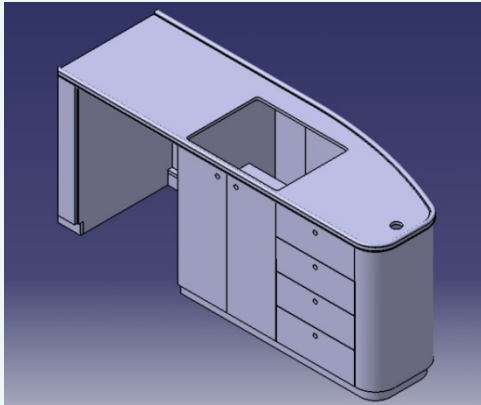
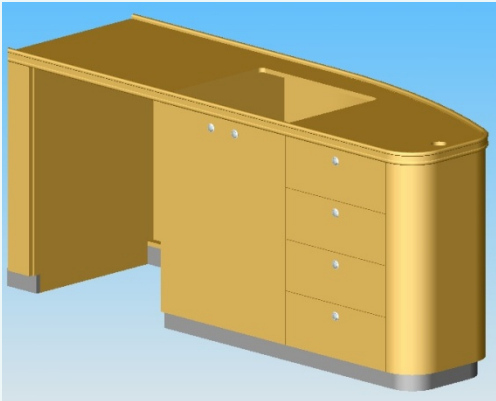


CREATION OF 3D MODELS – OTHER EXAMPLES

Input : 3D Model



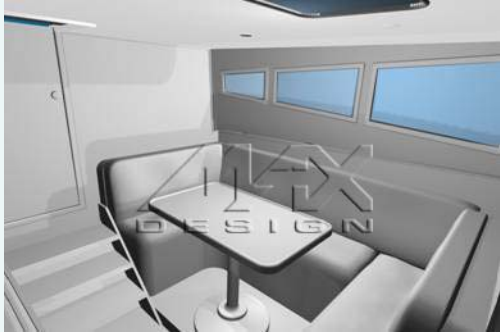
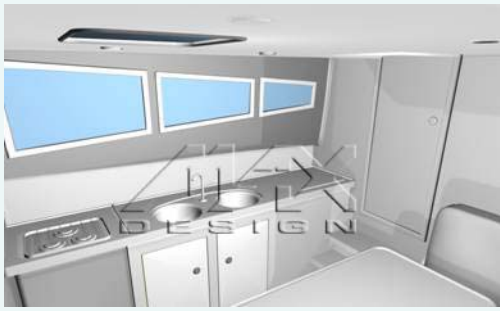
Output : 3D Model & 2D Plans



CAD SUPPORT SERVICES FOR

RENDERING & ANIMATION

Basic Rendering
(Without any colors and effects)



Rendering using basic colors



Photo Realistic Rendering
(with Textures and effects)



Basic Rendering

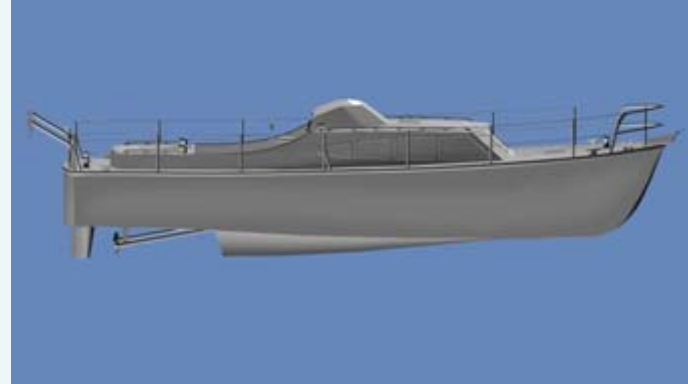
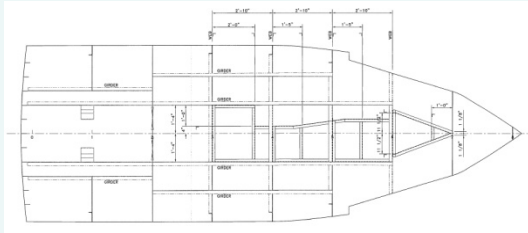


Photo Realistic Rendering

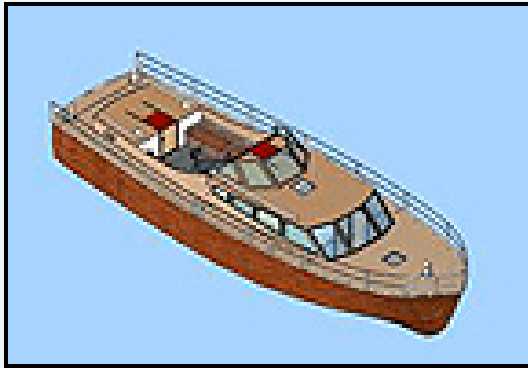


PHOTO-REALISTIC IMAGES

2D Drawing



3D Model



Rendered



PHOTO-REALISTIC IMAGES



PHOTO-REALISTIC IMAGES

2D Drawing



Rendered



3D Model

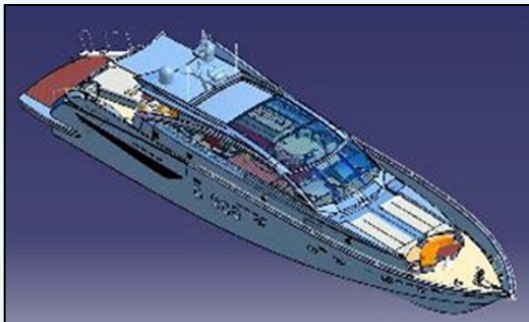
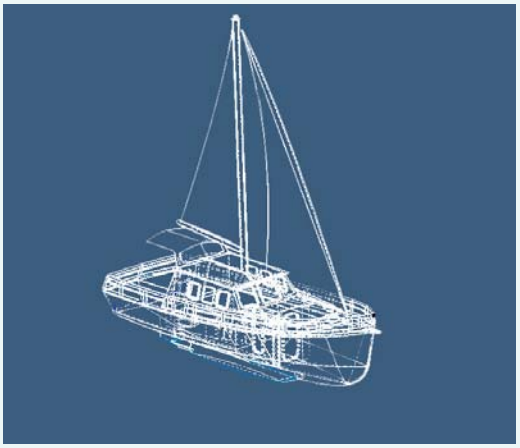
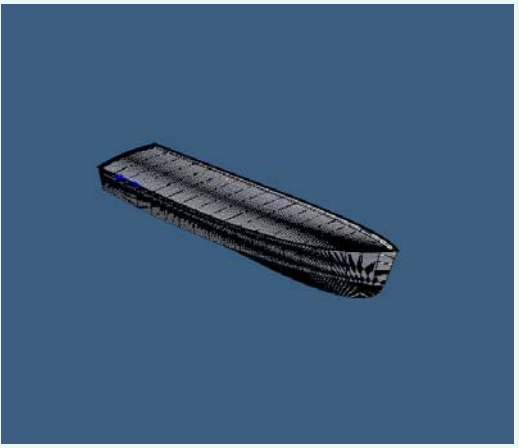
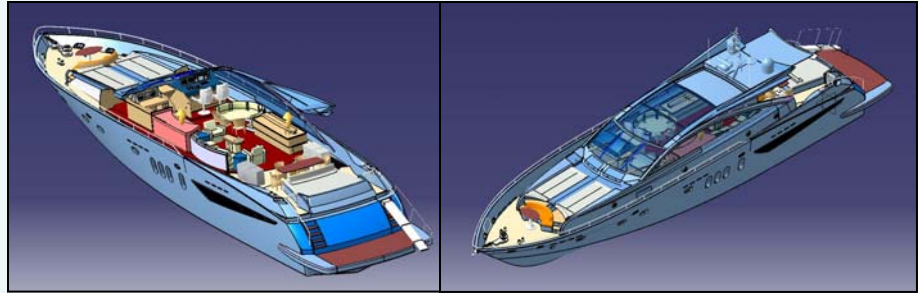
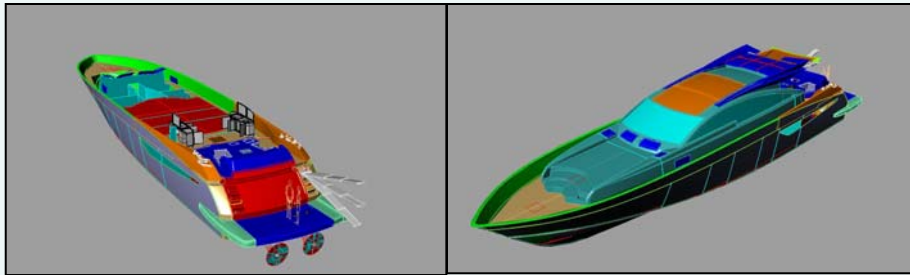


PHOTO-REALISTIC IMAGES









PHOTOSHOOT

Mockup Pictures

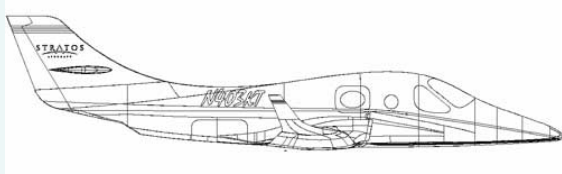


Rendered



PHOTO-REALISTIC IMAGES

2D Drawing



Rendered



3D Model



PHOTO-REALISTIC IMAGES



PHOTO-REALISTIC IMAGES



PHOTO-REALISTIC IMAGES

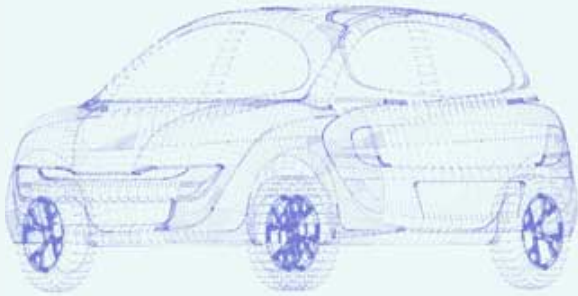


PHOTO-REALISTIC IMAGES



PHOTO-REALISTIC IMAGES

Sections



Class A Exterior



Rendered



PHOTO-REALISTIC IMAGES



PRODUCT VISUALIZATION

Home Appliances



Engineering



PRODUCT VISUALIZATION



FLY - BY

ANIMATION



INTERIOR

ANIMATION



WALK THROUGH

ANIMATION



THANK YOU!