

CAD SERVICES

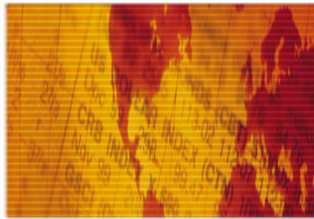




About us:

MAX Design

- Is based in Pondicherry in India.
- Has an international management team.
- Has more than 30 years' experience in the development and management of trans-national IT related projects.
- Places Professionalism and Transperancy first and foremost.
- Is deeply and personally interested in yachting and flying.



Your Requirements:

If you wish to:

- Become more effective and competitive,
- Utilize and optimize your internal resources on your core competences,
- Increase your flexibility and timeliness with the response to your clients,
- Manage working peaks in a more efficient way,
- Gain the cost advantage of emerging economies without investments and risks,
- Take active part in the processes of globalization, and at the same time
- Lower your fixed costs, save on the expenses currently incurred and improve your profitability...



Our Services

MAX Design offers You a multitude of CAD support services that include:

3D CAD & Modeling:

- Digitization of paper drawings,
- Creation of detailed engineering drawings,
- Creation of 3D Simulations,
- Translation and migration of CAD Models
- Reverse Engineering,
- 3D Model Analysis,
- Design Automation, etc.

Rendering and Animations:

- Creation of photo-realistic images,
- Detailed visualization of products,
- Animations, etc.



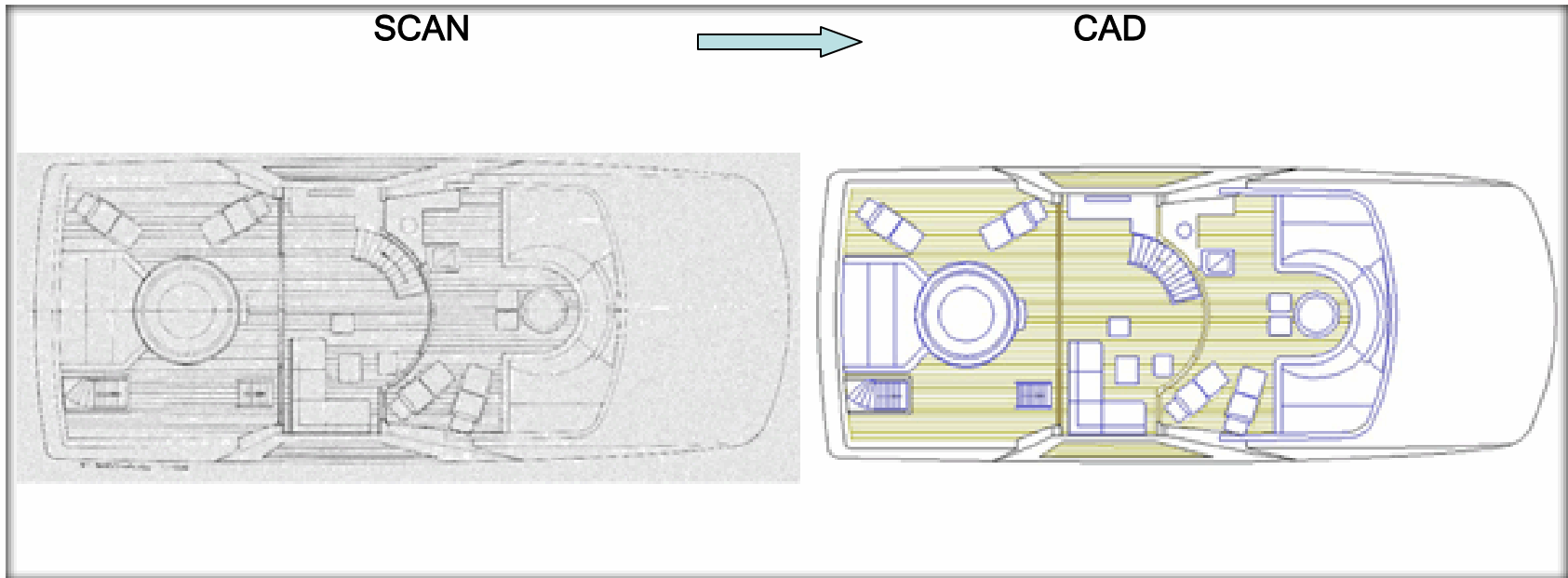
Working together:

We offer You the possibility to work in a flexible way and to choose the solution that better suits you. For example we can work for you:

- On an hourly basis,
- On given projects,
- By setting up and running your own Off-shore Design Center (ODC):
 - This is offered to those who require an ODC but don't have either the time, the resources or the experience to set up an ODC of their own.
 - This solution drastically removes the risk and annuls the necessary initial investments for the setting up an ODC.
Or, suggest an arrangement that suits you best.

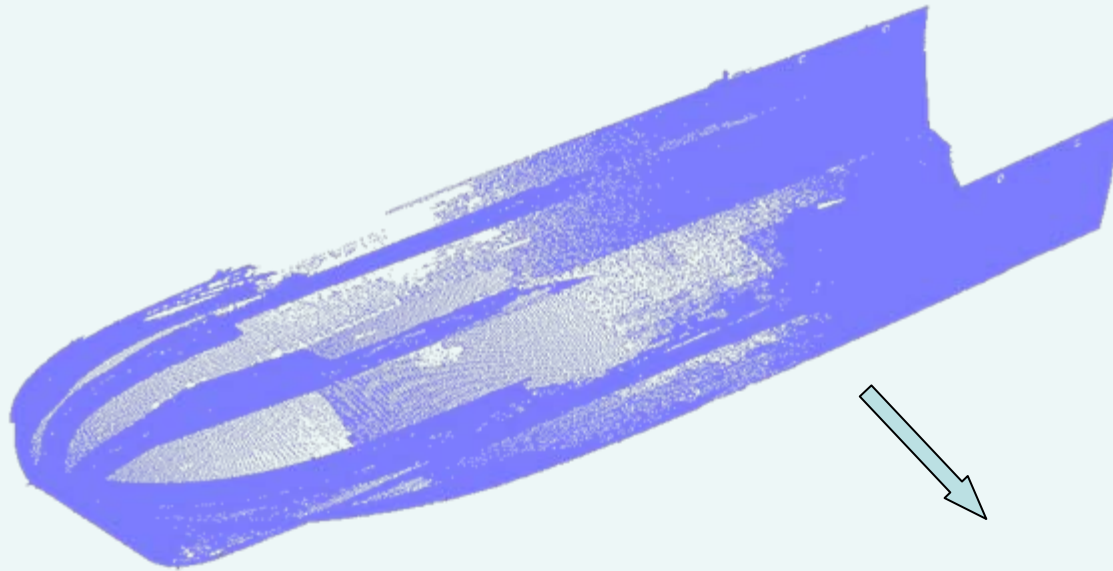
CAD MODELING

CREATION OF VECTOR BASED 2D DRAWING FROM LEGACY DATA

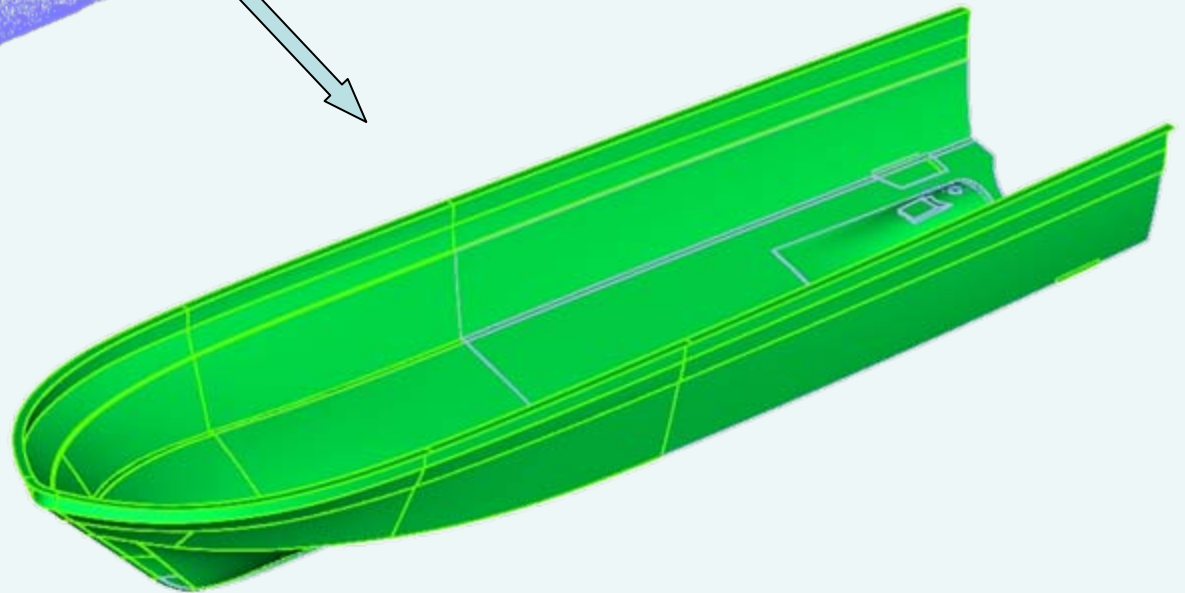
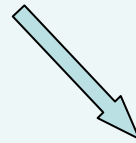


CREATION OF SURFACES FROM POINT CLOUD DATA

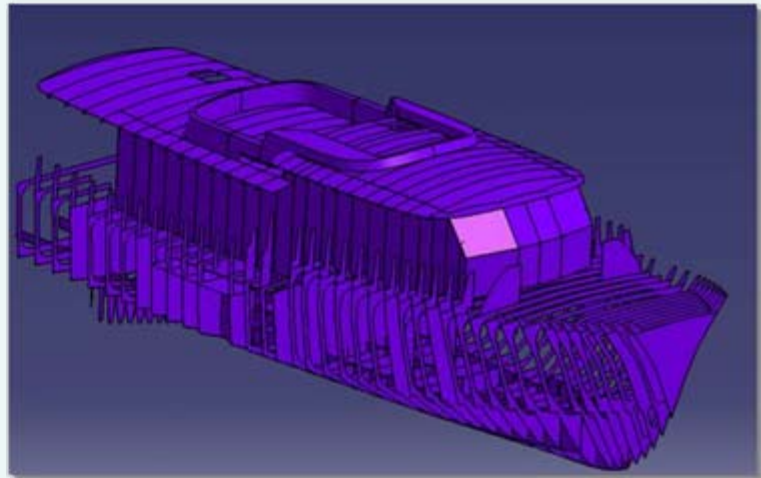
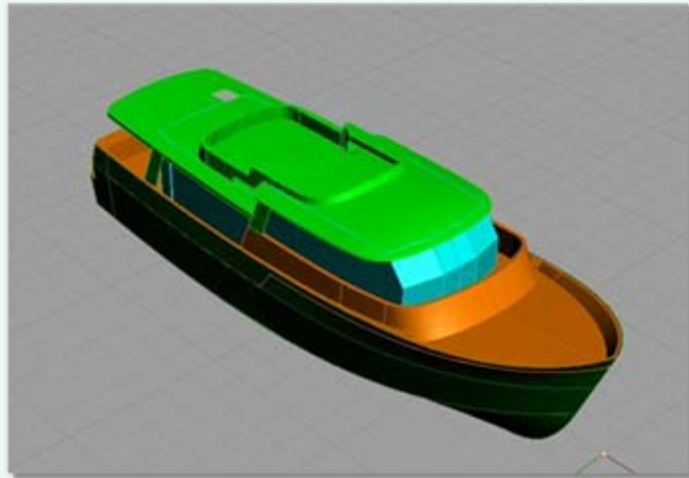
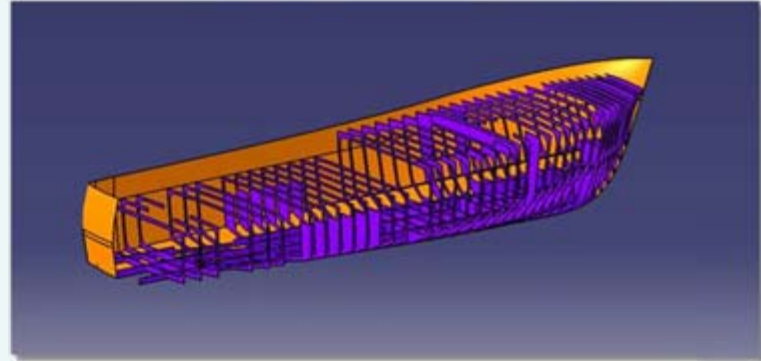
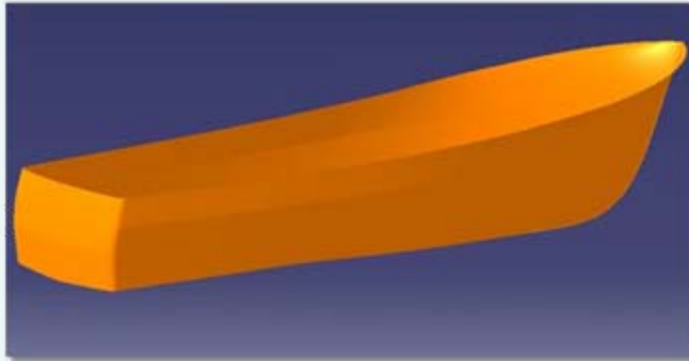
SCAN DATA (POINT CLOUD DATA)



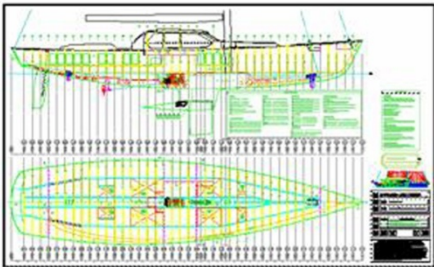
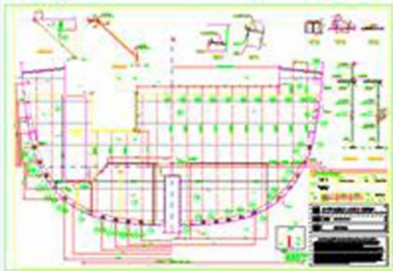
BEZIER SURFACE



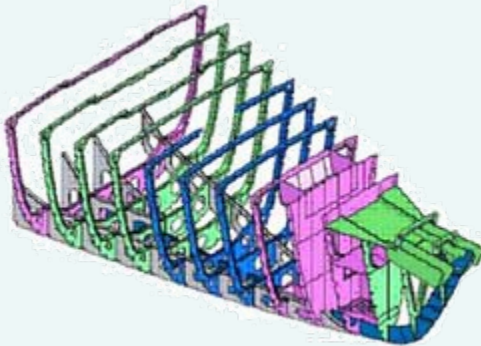
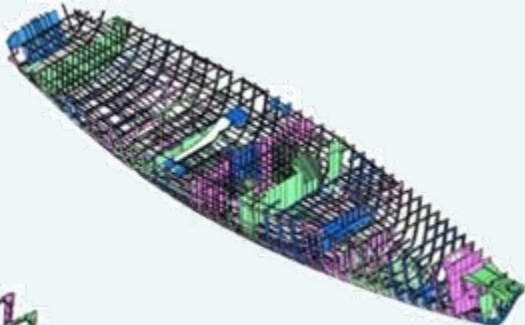
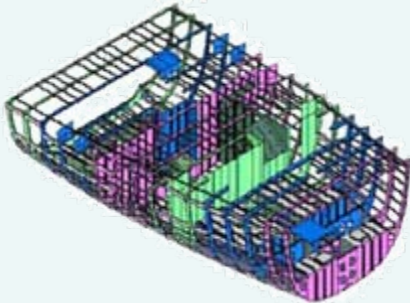
CREATION OF HULL SURFACES, STRUCTURES FROM 2D DRAWING



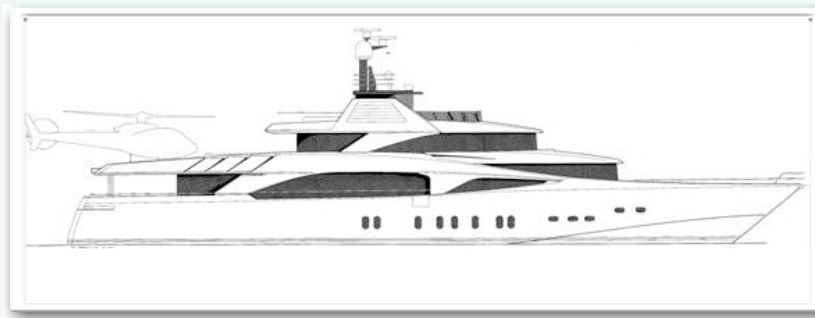
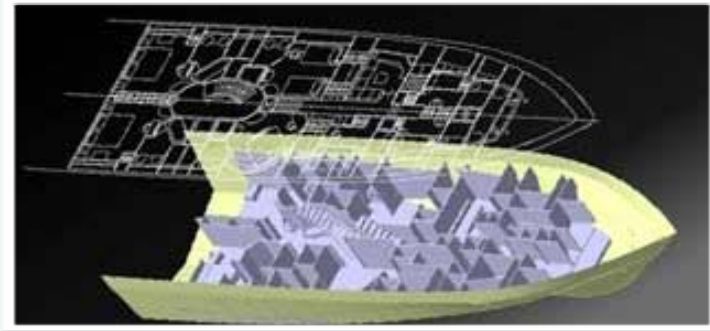
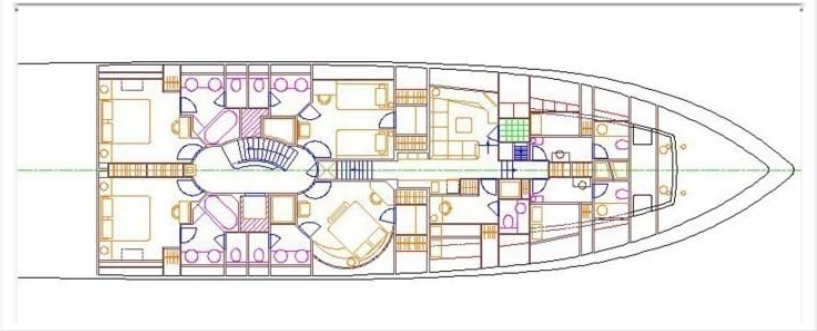
CREATION OF STRUCTURES FROM 2D DRAWING



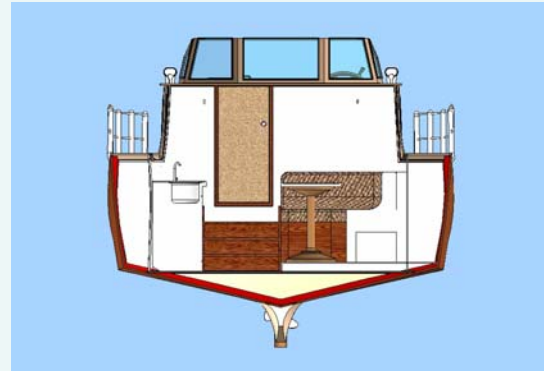
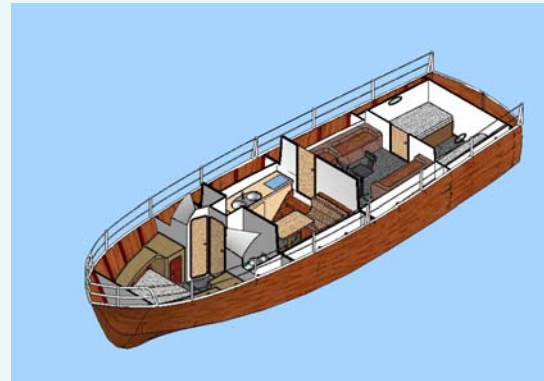
2D → 3D



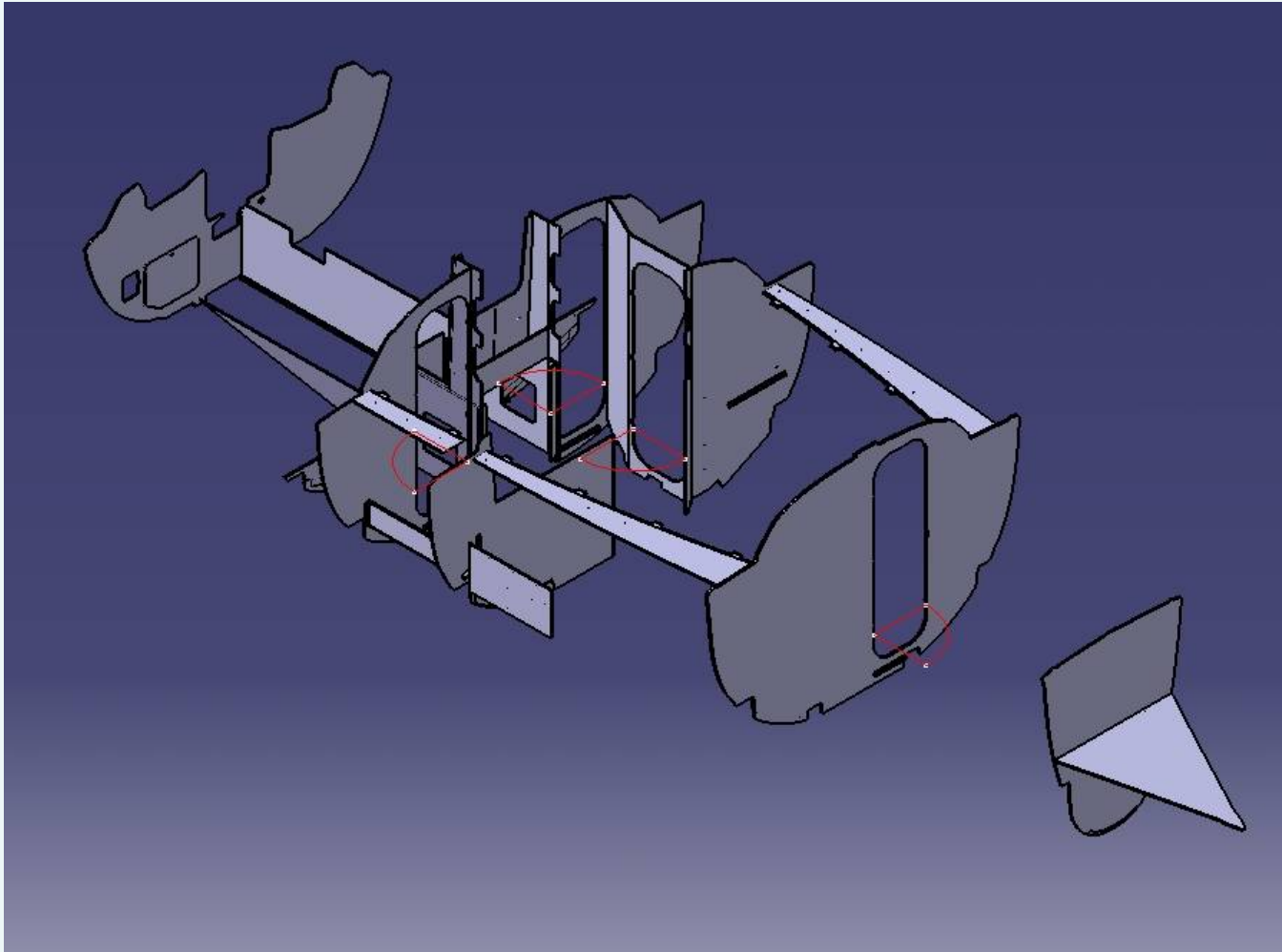
CREATION OF HULL SURFACES FROM 2D DRAWING



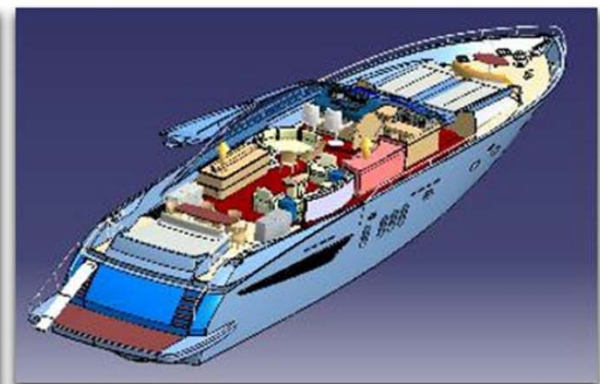
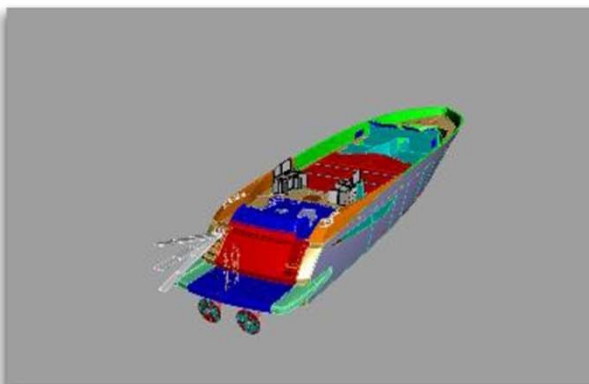
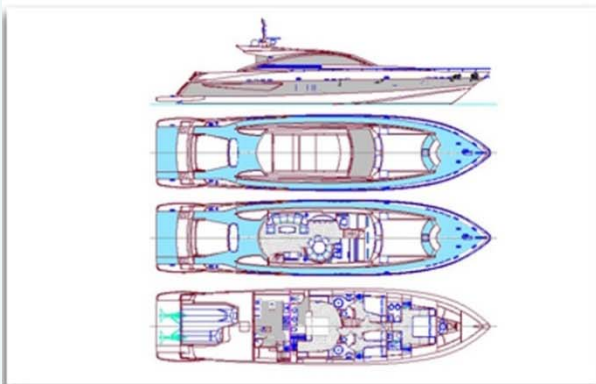
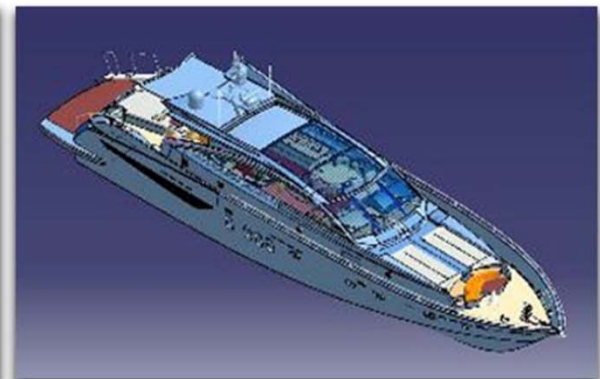
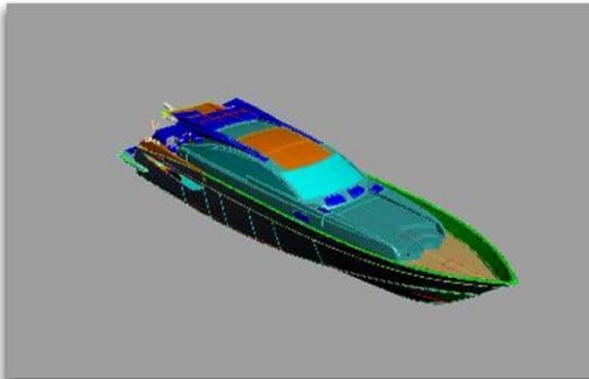
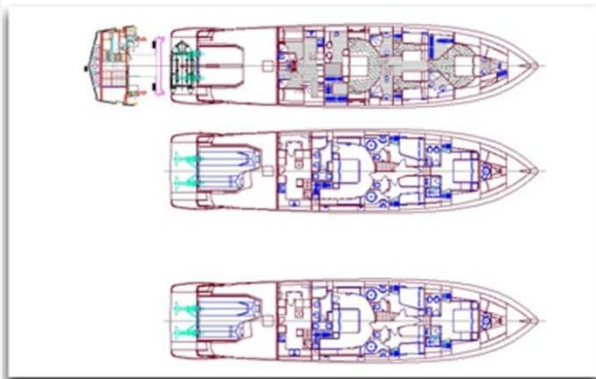
CREATION OF HULL SURFACES & INTERIORS FROM 2D DRAWING



CREATION OF STRUCTURES, BULKHEAD FROM 2D DRAWING

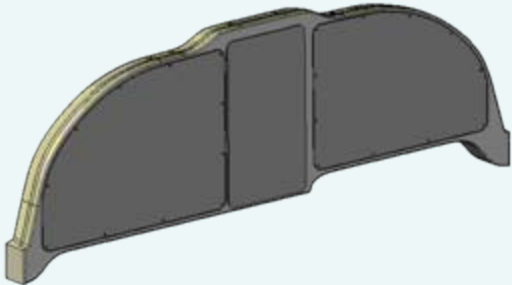


CREATION OF HULL SURFACES, PLATFORM, DECK FROM 2D DRAWING



INSTRUMENT PANEL DESIGNING & MODELING

Base panel



Additional parts



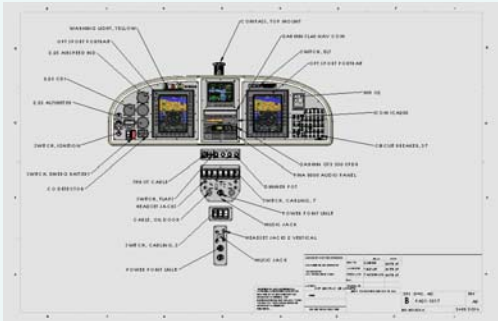
Panel assembly



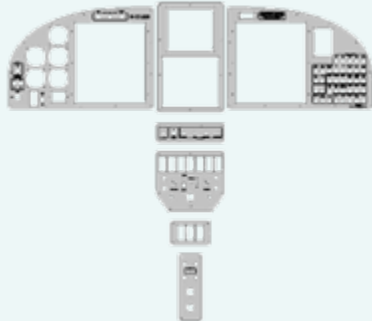
Rendered



Engineering drawings



Creating cutouts

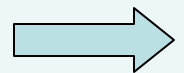


OTHER CAD SUPPORT SERVICES

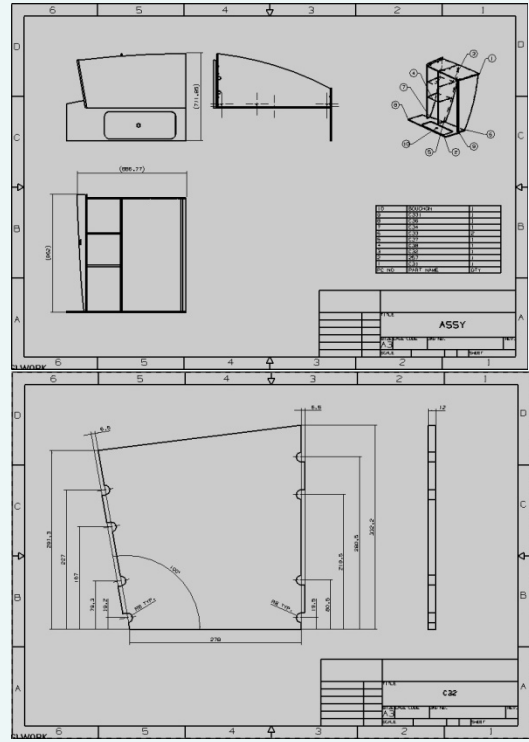
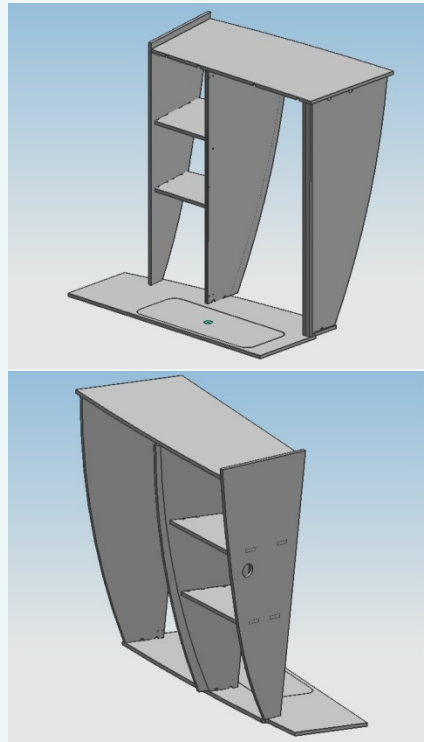
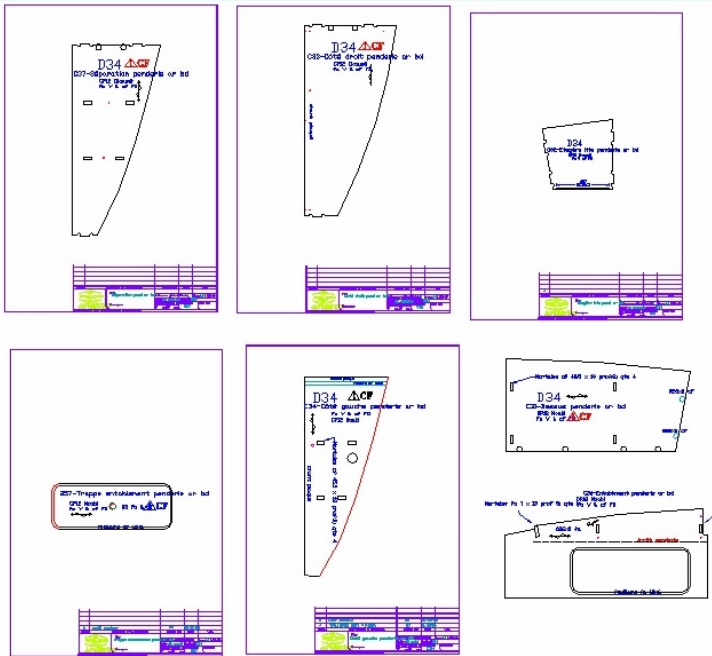
MODELING OF BOAT FURNITURES

Creation of 3d models from 2d drawings and creation of new corresponding execution 2d drawings

Input : 2D drawing



Output : 3D Model & 2D Plans

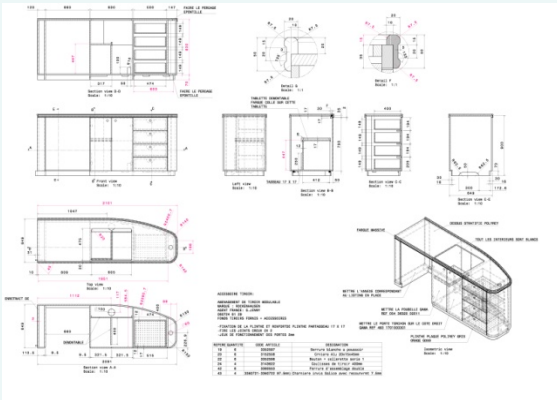
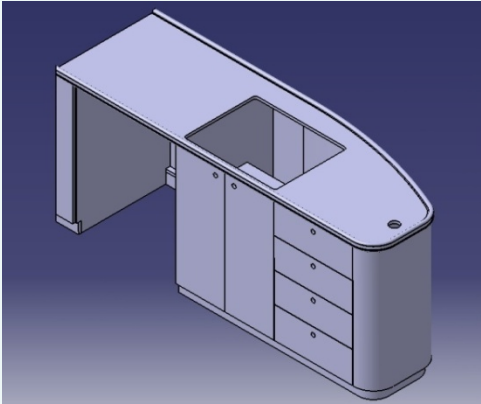
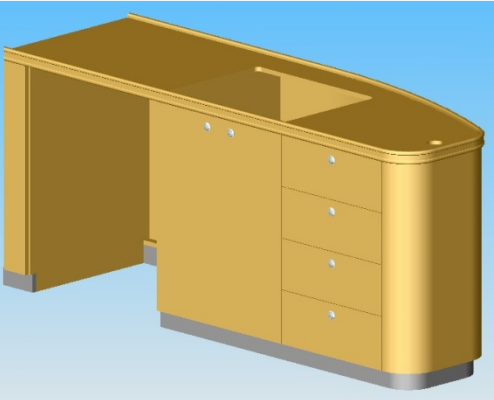


MODELING OF BOAT FURNITURES

Input : 3D Model



Output : 3D Model & 2D Plans



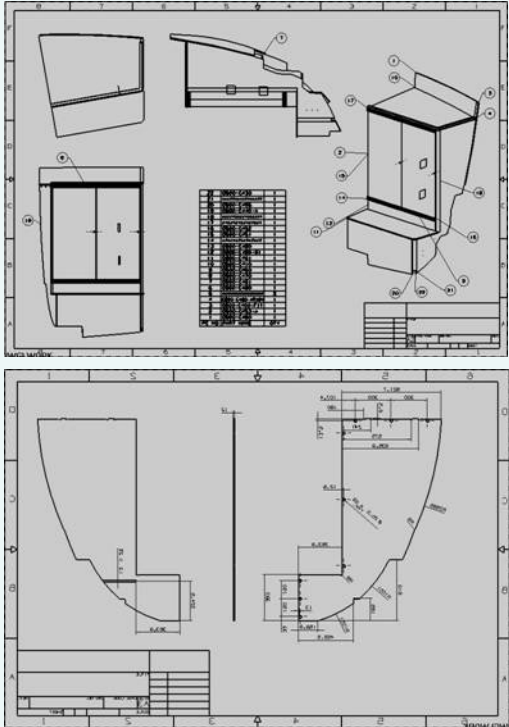
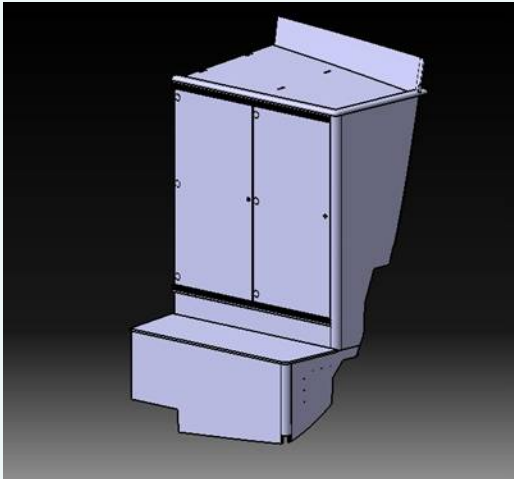
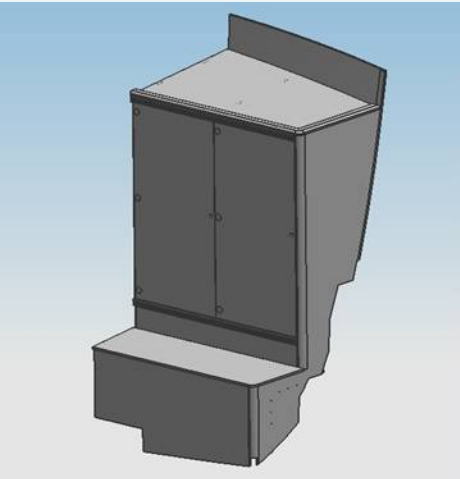
MODELING OF BOAT FURNITURES

Conversion of an existing non-parametric 3d model into a new 3d parametric model and Creation of new corresponding execution 2d drawings.

Input : 3D Model



Output : Parametric 3D Model & 2D Plans



MODELING OF BOAT FURNITURES

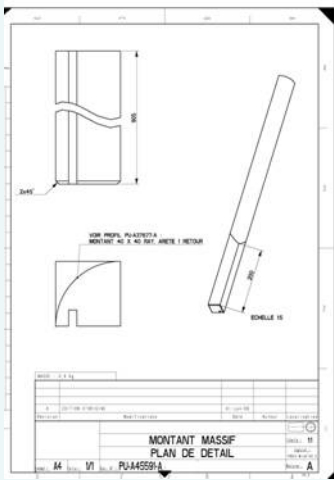
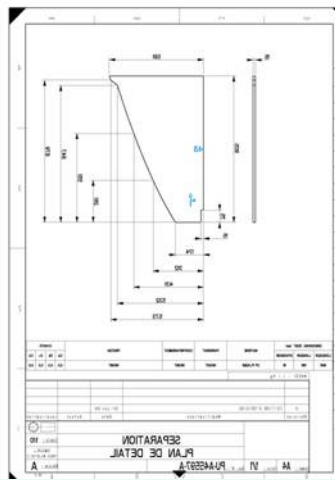
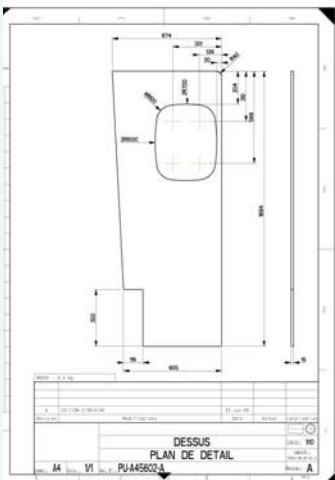
Creation of execution 2d drawings.

Input : 3D Model



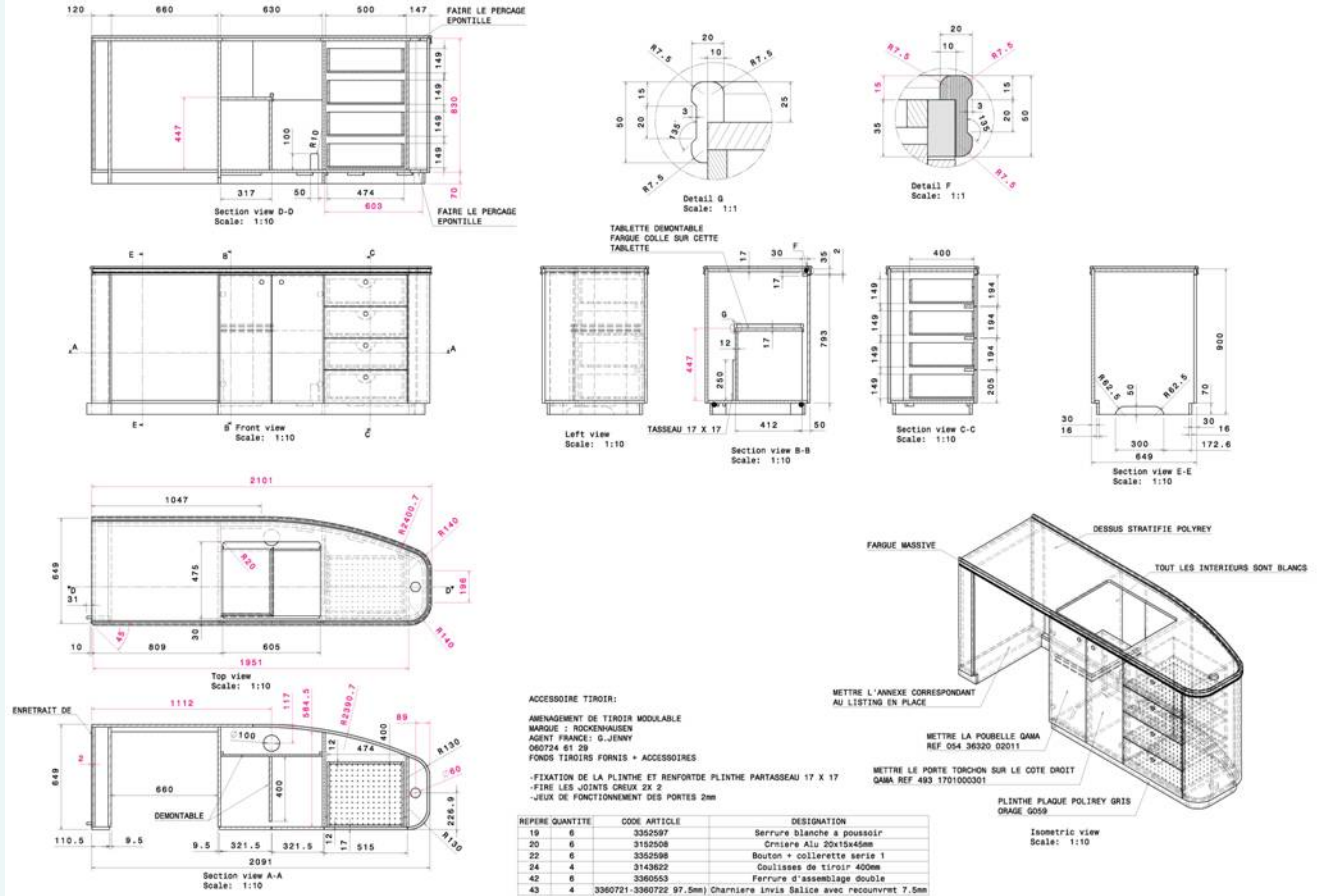
Output :

2D Plans

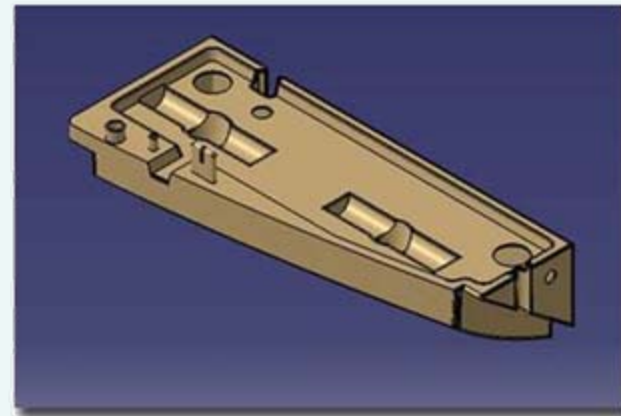
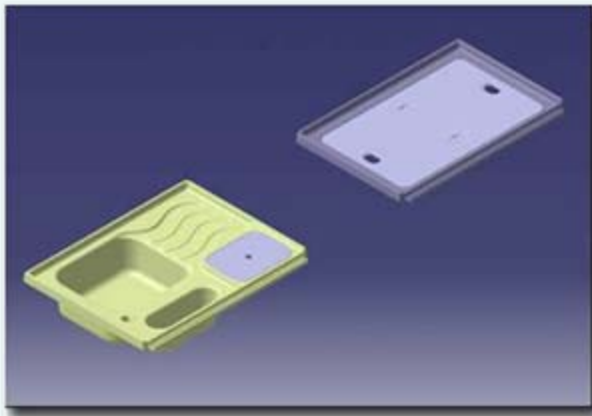
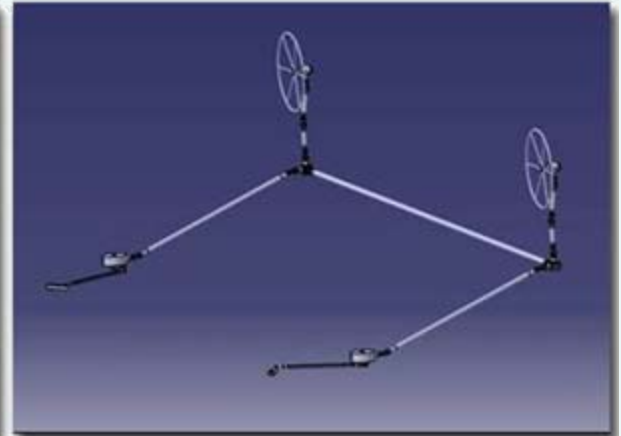
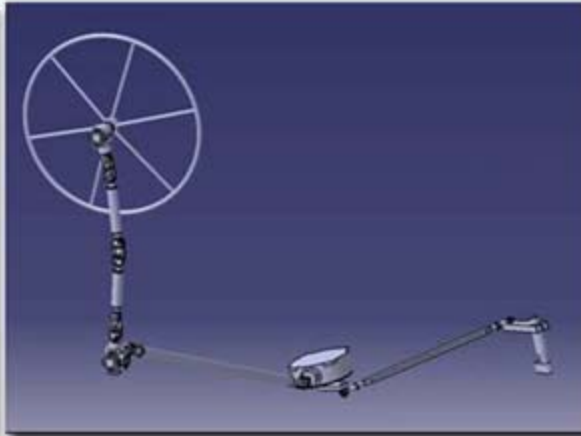
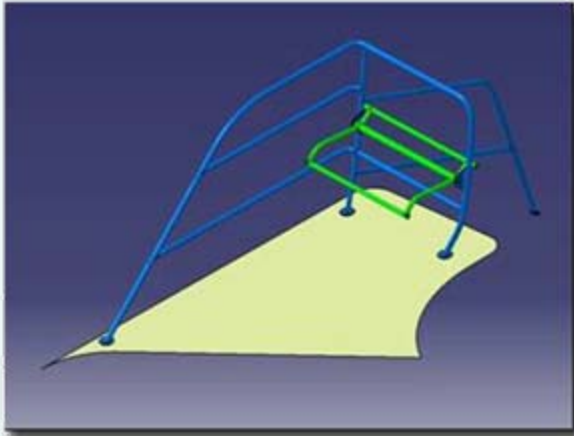


MODELING OF BOAT FURNITURES

Creation of execution 2d drawings.



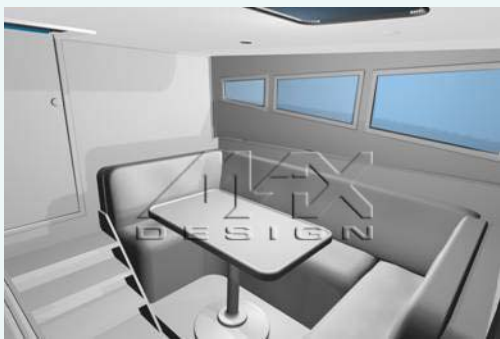
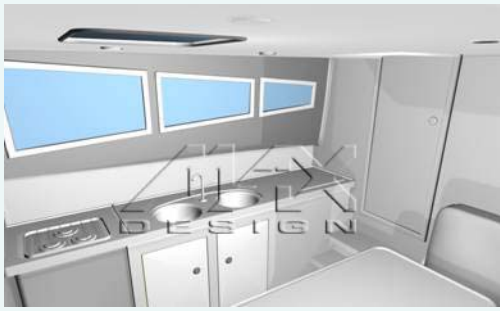
CREATION OF BOAT ACCESSORIES



CAD SUPPORT SERVICES FOR

RENDERING & ANIMATION

**Basic Rendering
(Without any colors and effects)**



Rendering using basic colors



**Photo Realistic Rendering
(with Textures and effects)**



Basic Rendering

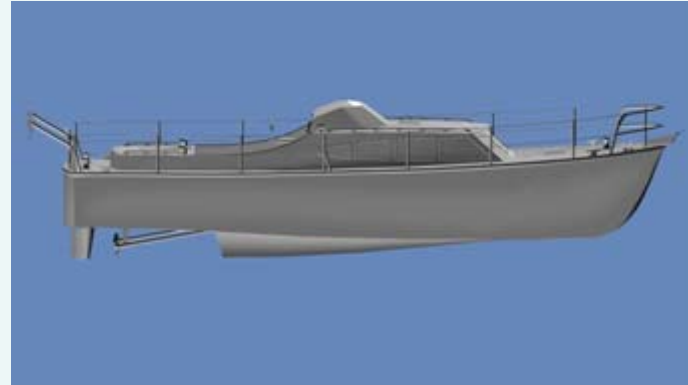
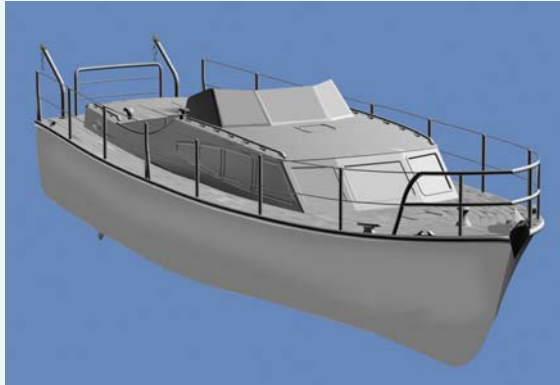
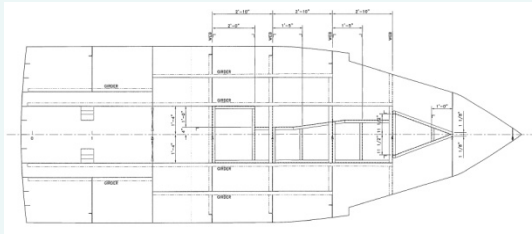


Photo Realistic Rendering



PHOTO-REALISTIC IMAGES

2D Drawing



Rendered



3D Model

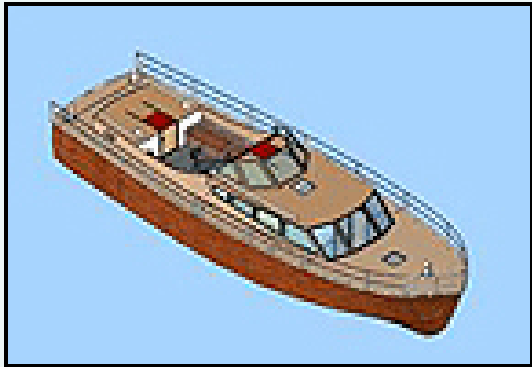
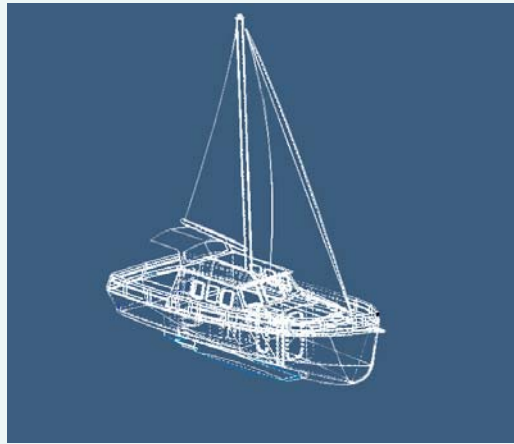
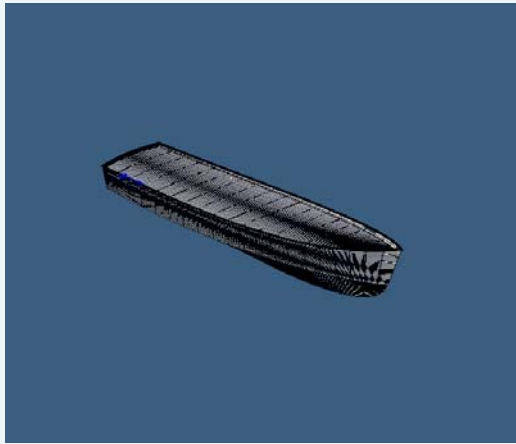


PHOTO-REALISTIC IMAGES







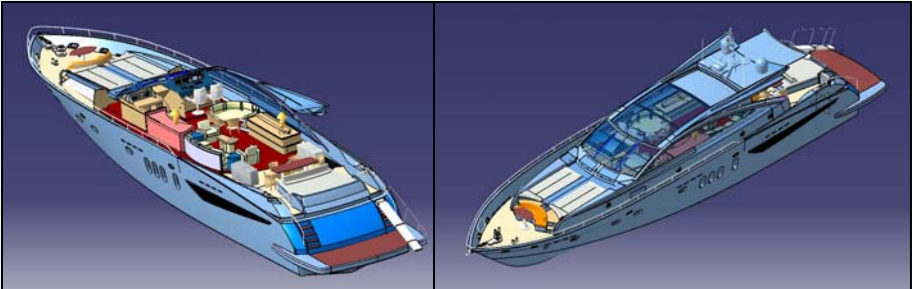
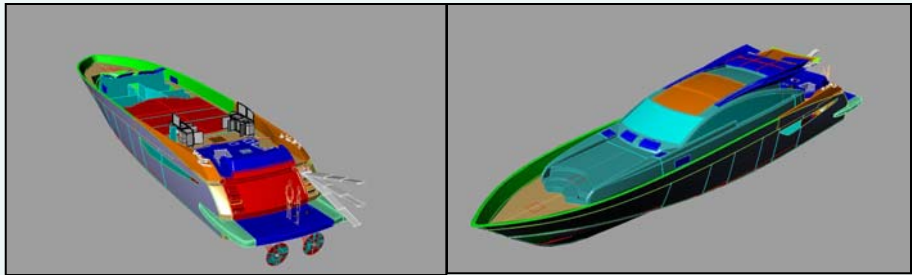


PHOTO-REALISTIC IMAGES

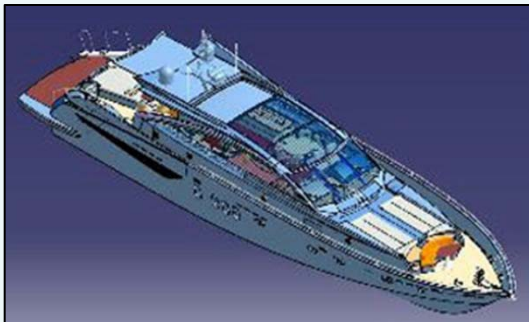
2D Drawing



Rendered



3D Model



PRODUCT VISUALIZATION



SAIL BOAT INTERIOR WALKTHROUGH



THANK YOU!